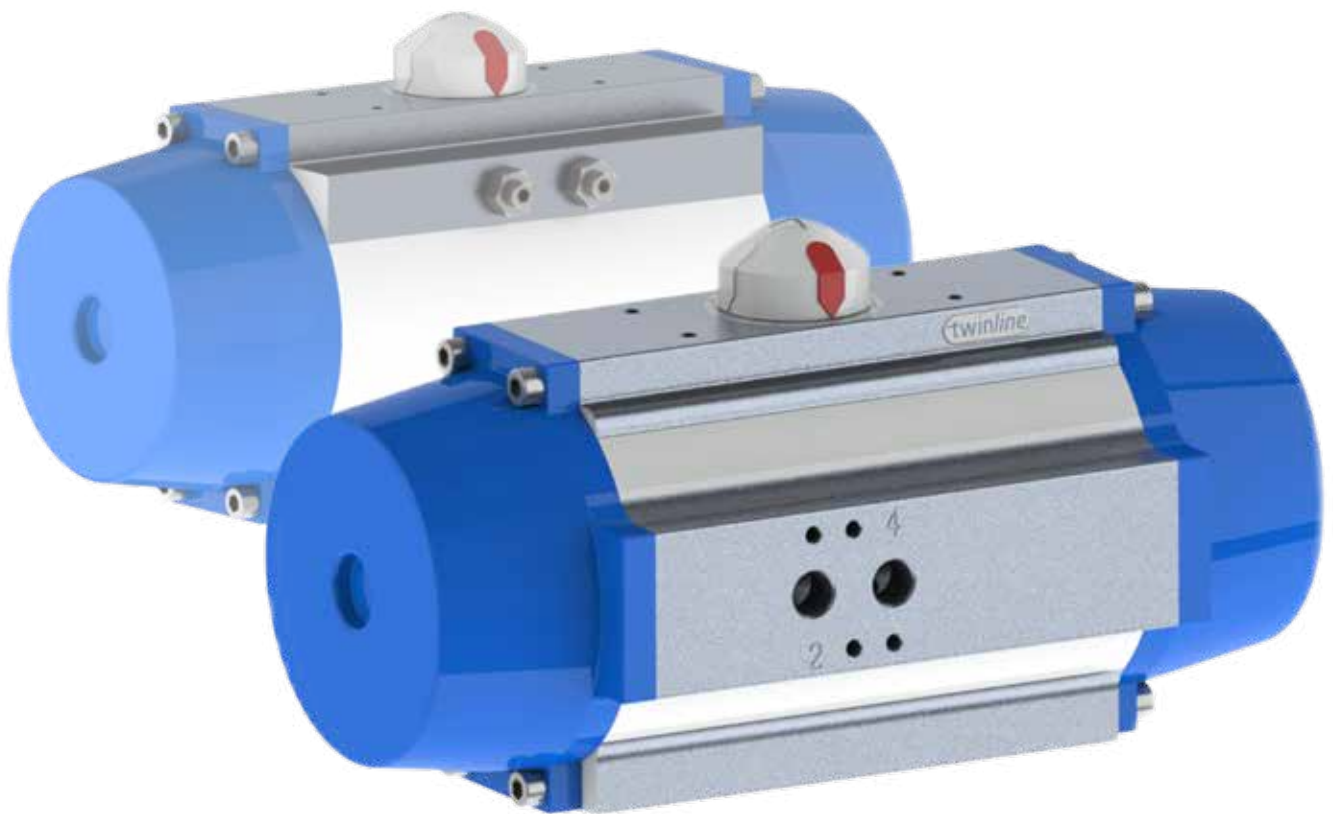


Pneumatic Rotary Actuator

IT'S THE DETAILS THAT MAKE THE DIFFERENCE...



twinline[®]

THE NEXT STEP
in drive technology at airpower!



Company profile

Airpower in Dattenberg near Linz am Rhein, located between Bonn and Koblenz, is your independent partner for pneumatic and electric rotary actuators as well as industrial valves designed for the process industry and plant construction.

The company headquarters were part of an investment, made in 2019, with a new 5000 sqm building complex comprising spacious administration, storage, and production areas.

As an independent company, we offer comprehensive and professional technical advice and support in matters of engineering and customer service. Our technical support is geared towards specific project-related requirements targeting optimal cost-benefit ratio. We attach great importance to personal contact. We are committed to support you! An experienced team ensures your absolute satisfaction. Well-engineered product technology, designed and produced according to international standards and norms, guarantees absolute safety.



We have international approvals according to DIN EN ISO 9001-2015, ATEX, SIL3, EAC etc. Our employees, either in Sales, Construction, Purchase or Assembly make sure that orders are processed smoothly and quickly. We deliver over 10.000 pneumatic actuators from 4 to 13.000 Nm from stock. Our program includes manually operated and fully automated industrial valves from nominal width DN10 to DN1400. Upon request from customers we also deliver special designs with the help of our construction department.

Thus, along with the standard 90° swivel angle, we also supply actuators with different angles such as 120°, 135°, 180° and 3-position actuators (metering unit) as well as Scotch-Yoke actuators.

Our global sales market includes complete European area, Scandinavia, the Middle East, Africa. Asia and South America. Professional closeness to our customers is highly important for us. Benefit from our expertise!

You can send us an e-mail or call us at:

E-Mail: sales@airpower-gmbh.com

Phone: +49 2644 40697 0

Fax: +49 2644 40697 99



Applications

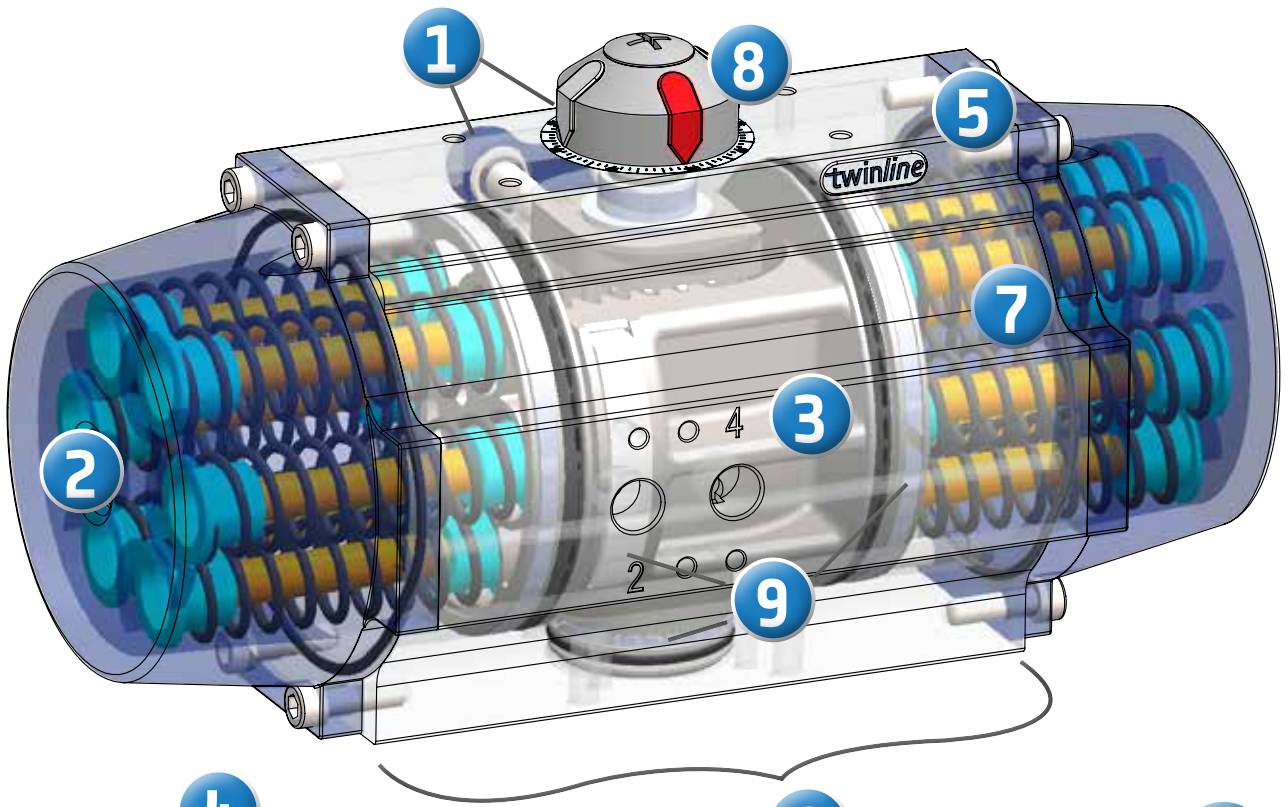
Renewable energies, solar technology, environmental protection, water treatment, distribution, disposal, filter and process technology, bulk goods, food, paper and pulp, chemical and petrochemicals, biotechnology and pharmaceutical industry, mining and mine technology, maritime/offshore, plant and mechanical engineering, steel and metallurgical engineering, process automation, process engineering, valve manufacturers, vehicle and rail technology, sugar industry and many more.



airpower europe

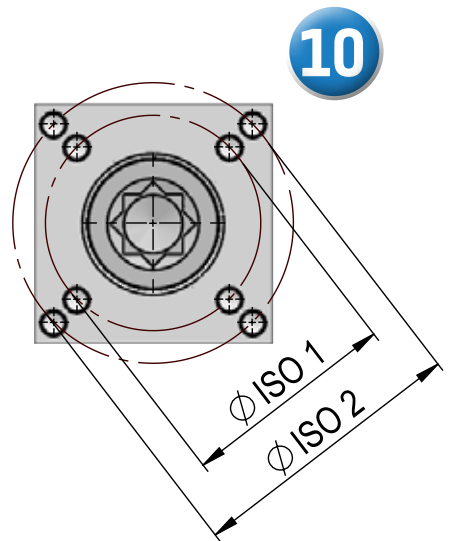
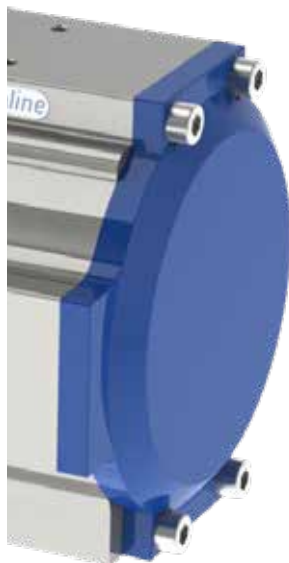
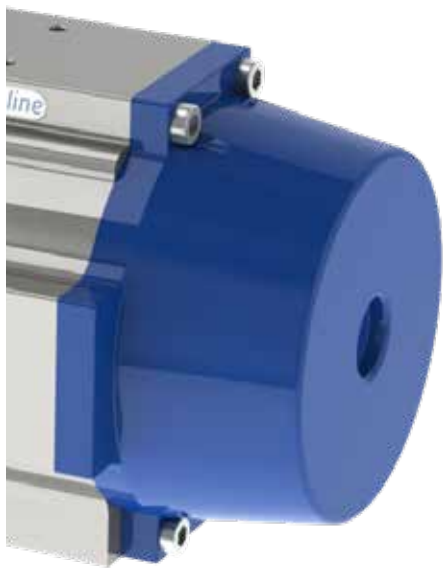


Advantages/Benefits AGD/S 002-130



AGD/S

AGDK (On request)



Standard:



Octagon

On request:



Square



Square (parallel)

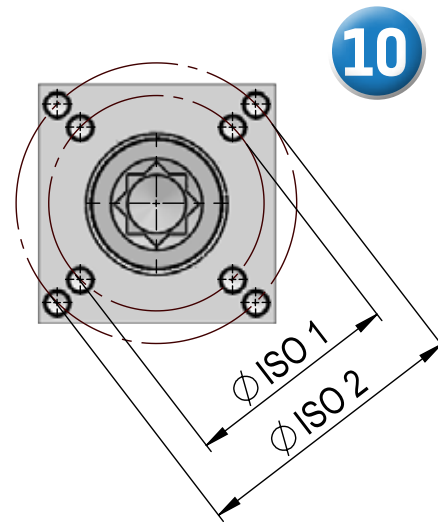
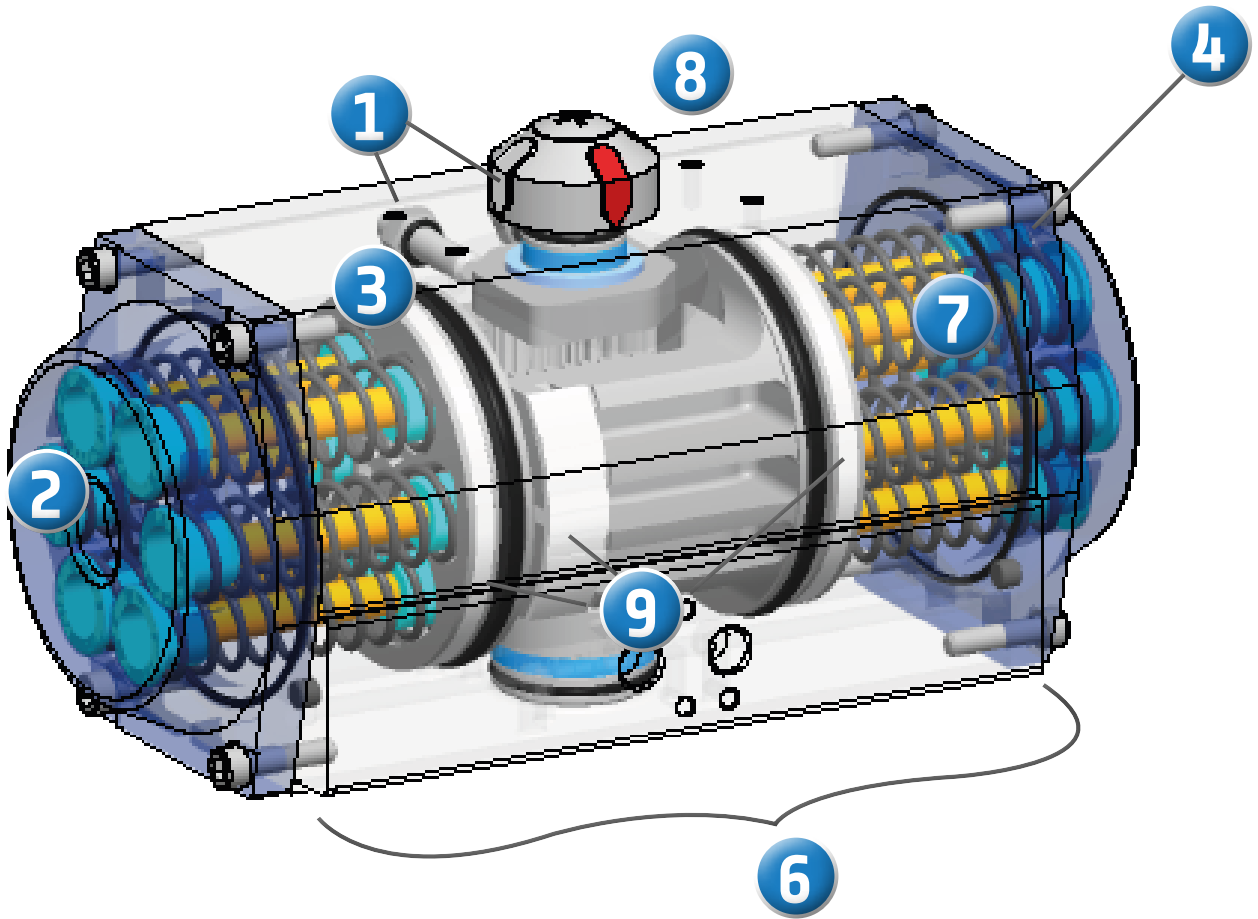


Two-flat

Advantages/Benefits AGD/S 002-130

1. End position adjustment	6. Design features
<p>Two end positions can be set separately in range from +5° to -5° using two independently acting adjusting screws.</p> <p>For butterfly valves: The valve disc achieves complete sealing before reaching full closure.</p> <ul style="list-style-type: none"> • Extended service life due to less abrasion. Lower torque value and more economic actuator selection. • For ball and plug valves: The open position can be set exactly, avoidance of turbulent flow of the medium and cavitation. 	<p>Same dimensions for both double and single-acting actuators with a 90° swivel angle. 180° swivel angle adjustable from 120° to 180° Low capital commitment due to the fact that only double-acting actuators have to be stocked and single-acting actuators can be produced by the easy installation of safety springs.</p> <ul style="list-style-type: none"> • Simple, safe handling and adjustment to the existing control pressure thanks to captive springs. • Covering a wide range of applications.
2. Stroke limiter	7. Corrosion protection: airpower – safety springs
<p>The caps of the twinline series are closed as standard to prevent leaks. On request, the covers can be drilled out to set the swivel angle. The stroke can then be limited in one direction (open or closed).</p> <ul style="list-style-type: none"> • With the additional stroke limitation, the flow rate can be set reproducibly for butterfly valves and seals. • Cost savings as special solutions are not required. (e.g. special switching cams or electrical solutions) 	<p>The captive springs are plastic coated. Stainless steel guide sleeves.</p> <ul style="list-style-type: none"> • Long service life thanks to good corrosion protection. • starting from AGS-010 free of non-ferrous metals. • reduced service and maintenance costs. • No risk of an accident.
3. NAMUR connection	8. Position indicator
<p>The NAMUR connection is located in the center of the housing. The Namur connection is also offset to the pinion. Protects the wearing parts on the piston!</p> <ul style="list-style-type: none"> • No collisions of attachments such as long silencers on the solenoid valve, which are fitted in the direction of the valve (downwards). 	<p>The position indicator included in the scope of delivery is designed in such a way that signaling devices can be mounted directly on the actuator in accordance with the NAMUR interface VDI / VDE 3845.</p> <ul style="list-style-type: none"> • Use of inexpensive standard components. • Fast, inexpensive construction of signal devices. • Position indicator visible from far.
4. NAMUR shaft	9. Wearing parts
<p>Due to the split pinion with Namur shaft, pinion turning is no longer necessary for H/G and F/E.</p> <ul style="list-style-type: none"> • Blow-out-proof shaft with right-left screw. 	<p>Piston band shoe and pinion band made of PTFE 25% carbon, which enables a significantly longer service life.</p> <ul style="list-style-type: none"> • Long service life • Self-lubricating sliding properties
5. Logo and special angle	10. ISO 5211 Flange pattern (Interface Actuator/fitting)
<p>The logo can be personalized on request. There are two threaded holes behind the Twinline logo threaded holes for mounting special brackets for filter regulators, etc.</p>	<p>ISO 5211 flange interfaces (actuator/valve interface) Two ISO 5211 flange interfaces with double square per actuator size. Cost savings through flexible automation of valves.</p>

Advantages/Benefits APD/S 260-1680



Advantages/Benefits APD/S 260-1680

<p>1. End position adjustment</p> <p>Two end positions can be set separately in range from +5° to -5° using two independently acting adjusting screws.</p> <p>For butterfly valves: The valve disc achieves complete sealing before reaching full closure.</p> <ul style="list-style-type: none"> • Extended service life due to less abrasion. Lower torque value and more economic actuator selection. • For ball and plug valves: The open position can be set exactly, avoidance of turbulent flow of the medium and cavitation. 	<p>6. Design features</p> <p>Same dimensions for both double and single-acting actuators with a 90° swivel angle. 180° swivel angle adjustable from 120° to 180° Low capital commitment due to the fact that only double-acting actuators have to be stocked and single-acting actuators can be produced by the easy installation of safety springs.</p> <ul style="list-style-type: none"> • Simple, safe handling and adjustment to the existing control pressure thanks to captive springs. • Covering a wide range of applications.
<p>2. Stroke limiter</p> <p>The caps of the twinline series are closed as standard to prevent leaks. On request, the covers can be drilled out to set the swivel angle. The stroke can then be limited in one direction (open or closed).</p> <ul style="list-style-type: none"> • With the additional stroke limitation, the flow rate can be set reproducibly for butterfly valves and seals. • Cost savings as special solutions are not required. (e.g. special switching cams or electrical solutions) 	<p>7. Corrosion protection: airpower – safety springs</p> <p>The captive springs are plastic coated. Stainless steel guide sleeves.</p> <ul style="list-style-type: none"> • Long service life thanks to good corrosion protection. • free of non-ferrous metals. • reduced service and maintenance costs. • No risk of an accident.
<p>3. Corrosion protection: Piston</p> <p>The die-cast pistons aluminum pistons are hard-anodized or galvanized from cast steel.</p> <ul style="list-style-type: none"> • Functional reliability even when using critical control media. • Long service-life. 	<p>8. Position indicator</p> <p>The position indicator included in the scope of delivery is designed in such a way that signaling devices can be mounted directly on the actuator in accordance with the NAMUR interface VDI / VDE 3845.</p> <ul style="list-style-type: none"> • Use of inexpensive standard components. • Fast, inexpensive construction of signal devices. • Position indicator visible from far.
<p>4. Silicone free</p> <ul style="list-style-type: none"> • Can also be used in areas where PWIS-free actuators are required e.g. paint-shops. 	<p>9. O-ring and bearings</p> <p>The standard seals can be used from -35° to +80°C.</p> <ul style="list-style-type: none"> • Wide temperature range, optionally -55 °C or 200 °C. • Inexpensive maintenance through simple replacement of sealing and wearing parts.
<p>5. Corrosion protection: Housing + Caps</p> <p>The aluminum housing is hard anodized as standard and also PE-coated on the outside. Screws are stainless steel.</p> <ul style="list-style-type: none"> • The die-cast aluminum caps are powder-coated. • Applicable in almost all environmental conditions, including critical ones. 	<p>10. ISO 5211 Flange pattern (Interface Actuator/fitting)</p> <p>ISO 5211 flange interfaces (actuator/valve interface) Two ISO 5211 flange interfaces with double square per actuator size. Cost savings through flexible automation of valves.</p>

Technical Specifications

	Standard design	By request
Design	Pneumatic double piston – rotary actuator up to 130: Type AGD = double acting / Type AGS = single acting from 260: Type AGD = double acting / Type AGS = single acting	3-position actuator (3P) 0°-90°-180°, 0°-45°-90° Quick-acting actuator Scotch-Yoke Actuators
Construction features	Double-piston rotary actuator based on the rack and pinion principle with self-centering piston guide in the housing. Single-acting: with captive safety springs	
Mounting position	Any	
Standards	Connection Actuator signaling devices: in accordance with VDI/VDE 3845 (NAMUR) Connection: actuator/control valve: in accordance with NAMUR or VDI /VDE 3845 Connection actuator/valve: Standardized flange interface on the body as well as pinion with inner-square (double square) in acc. with EN ISO 5211	Different interface dimensions possible Pinion with two flats in acc. with EN ISO 5211 or according to customer requests
Guidelines/ Approvals	ATEX product line 2014/34/EU EC-Machinery Directive 2006/42 CE, EAC, SIL3	
Materials	Housing: AL-alloy hard anodised, coated on the outside, RAL9006 Caps: AL-alloy, coated, RAL5002 Piston: AL-alloy, hard anodised (AGD/S-002-130), APD/S-260-1680 steel coated Pinion: AL-alloy, hard anodised from APD/S-260: Steel, corrosion protected (C-steel AISI 1045) Seals: NBR (Perbunan) Bearings: up to AGD/S-130: PTFE 25% coal from APD/S-260: Plastic, POM (Delrin) Screws: Stainless steel, AISI 304	Various cap colors possible Stainless steel actuator made of V4A Pinion: stainless steel AISI 304 or AISI 316
Ambient temperature	-35° to +80°C	High temperature version: -15° to + 140° C Higher temperatures up to +250° C Low temperature version: -55° to +70° C
Nominal swivel angle	Double and single acting: 0° / + 90°, adjustable from +5° to -5°.	120 ° swivel angle 135 ° swivel angle 180 ° swivel angle (also available as single-acting) Also adjustable in one direction +5° to -90°, on request
Torque	3,1 Nm to 13.022 Nm	Higher torque
Control pressure	2 to 10 bar	Higher control pressure on request
Control medium/Quality	Filtered air minimum acc. To DIN/ISO 8573-1, Class 4	Other non-aggressive, gaseous or liquid media

Criteria for actuator dimensioning

	Dimensioning example	
	Double acting	Single acting (spring return)
Which mode of operation is required for the quarter-turn actuator?	Safety position in the event of air failure is not required.	Required safety position of the valve in the event of air failure.
Minimum control pressure on the actuator?	Minimum control pressure= 5 bar	Minimum control pressure= 5 bar
What is the break-away torque of the valve?	Breakaway torque of the valve specified by the manufacturer = 70 Nm	Breakaway torque of the valve specified by the manufacturer = 50 Nm
Is the breakaway torque with or without a safety factor?	Safety factor (+ 30%) 70 Nm + 30% = 91 Nm	Safety factor (+ 30%) 50 Nm + 30% = 65 Nm
Selection results	The double-acting actuator, which reaches at least 52 Nm at 5 bar control pressure, is the AGD-018	The single-acting actuator, which reaches at least 45 Nm at 5 bar control pressure, is the AGS-025 with 10 springs



Standard version / 90°, 180°



Stainless steel version / 90°



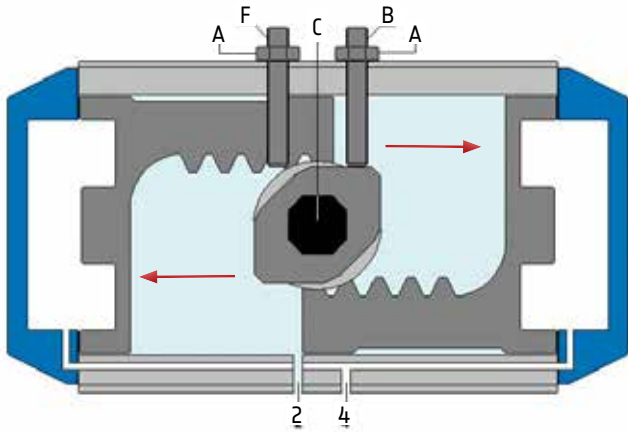
3-position version / 0°-90°-180°, 0°-45°-90°



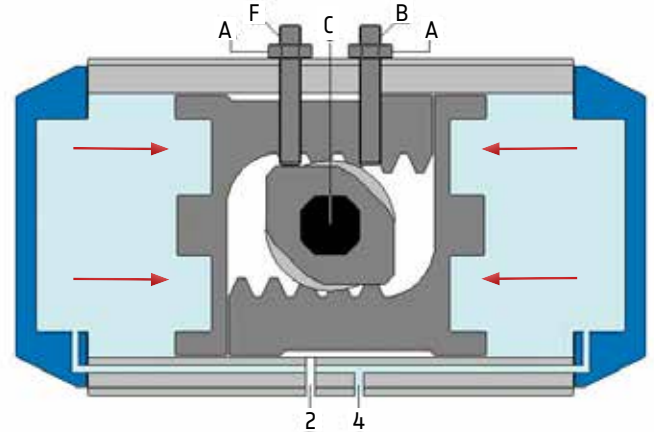
Scotch-Yoke version / 90°

Double acting function

Switching position 90°



Basic position 0°

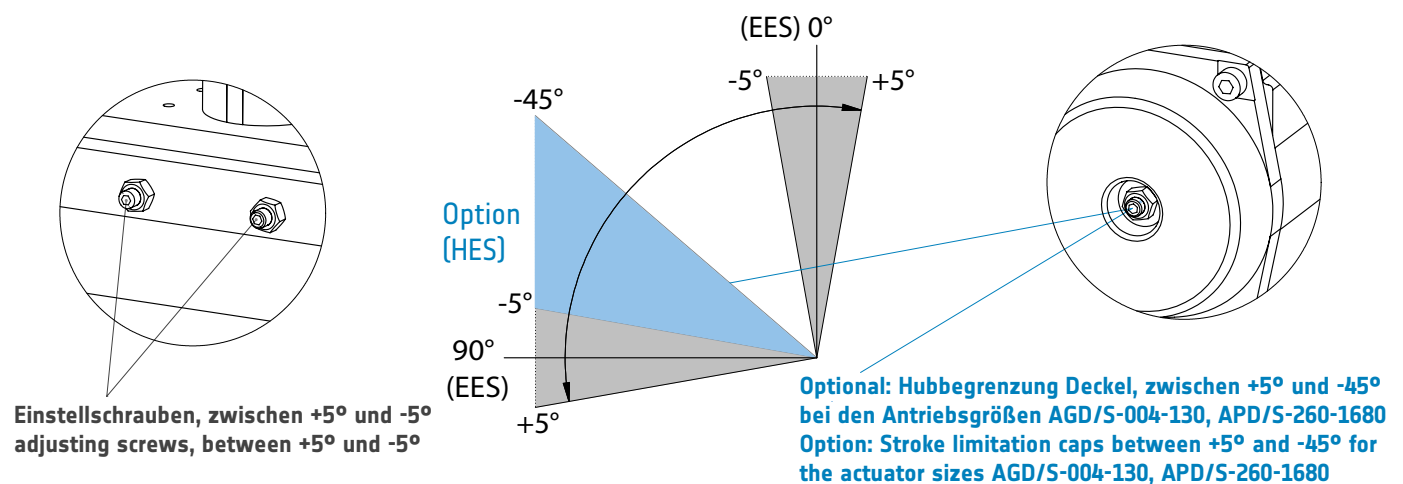


When pressure is applied to connection "2", the two pistons move from the 0° basic position towards the 90° switching position.

The force of both pistons is transmitted to pinion „C“ via the piston racks. When the pistons are pressurized via connection „4“, the pistons move towards each other into the basic position 0°

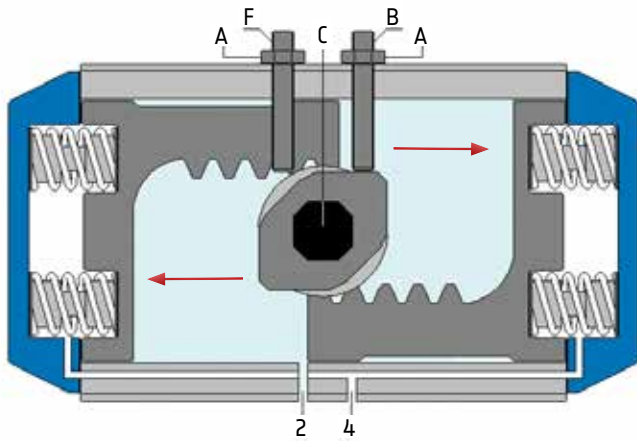
End position adjustment

In both end positions, the swivel angle can be set between +5° and -5° with the end position adjusting screws (EES) in a depressurized state. An an option, the nominal swivel angle of the switched drive (90 °) can be set using the stroke adjustment screws (HES) in the cover (optional by + 5 ° to max. -90 °)

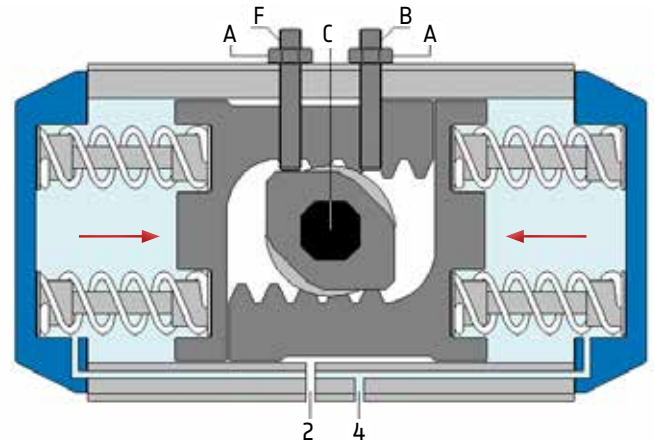


Single acting function

Switching position 90°



Basic position 0°

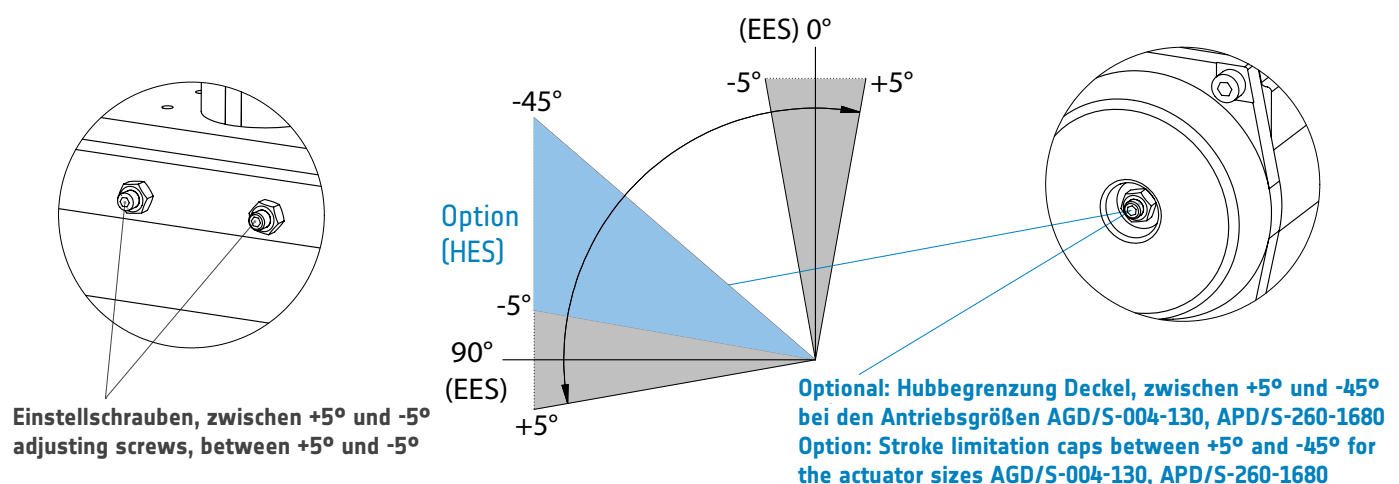


When pressure is applied to connection "2", the two pistons move from the 0° basic position apart into the 90° switching position and tension the springs.

When the inner chamber is vented via port '2', the springs return the pistons to 0° basic position. The number of springs (4 to 16 springs) must be adapted to the existing control pressure.

End position adjustment

In both end positions, the swivel angle can be set between +5° and -5° with the end position adjusting screws (EES) in a depressurized state. As an option, the nominal swivel angle of the switched drive (90 °) can be set using the stroke adjustment screws (HES) in the cover (optional by + 5 ° to max. -90 °)



Torques [Nm] double acting, Size 002 to 1680

Actuator size	Control pressure Pst [bar]								
	3	3,5	4	4,5	5	5,5	6	7	8
AGD-002	7,6	8,9	10,2	11,4	12,7	14	15,2	17,8	20,3
AGD-004	12,8	14,9	17	19,1	21,3	23,4	25,5	29,8	34
AGD-007	22,4	26,2	29,9	33,7	37,4	41,1	44,9	52,4	59,8
AGD-010	31,8	37,1	42,4	47,7	53	58,3	63,6	74,2	84,8
AGD-018	54,5	63,5	72,6	81,7	90,8	99,8	108,9	127,1	145,2
AGD-025	76,5	89,3	102	114,8	127,5	140,3	153	178,5	204
AGD-045	135,9	158,5	181,2	203,8	226,5	249,1	271,7	317	362,3
AGD-055	176,6	206,1	235,5	265	294,4	328,8	353,3	412,2	471
AGD-090	277,3	323,5	369,7	415,9	462,2	508,4	554,6	647	739,4
AGD-130	422	492,3	562,7	633	703,4	773,7	844	984,7	1125,4
APD-260	789	921	1052	1184	1315	1447	1578	1841	2104
APD-390	1160	1353	1546	1739	1933	2126	2319	2706	3092
APD-600	1761	2054	2349	2642	2936	3229	3523	4110	4697
APD-760	2289	2670	3052	3434	3815	4197	4578	5341	6104
APD-1150	3427	3998	4570	5141	5712	6283	6854	7997	9139
APD-1680	4883	5697	6511	7325	8139	8953	9767	11394	13022

Torques [Nm] single acting, Size 004

Actuator size	No. of springs	Md F [Nm]		Pneumatic net torque Md [Nm] at minimum control pressure Pst [bar]															
		min	max	3		3,5		4		4,5		5		5,5		6		7	
				min	max	min	max	min	max	min	max	min	max	min	max	min	max	min	max
AGS-004	4	3,29	5,00																
	5	4,11	6,25	7	9														
	6	4,94	7,50	5	8	7	10												
	7	5,76	8,75	4	7	6	9	8	11										
	8	6,58	10,00			5	8	7	10	9	13								
	9	7,4	11,25					6	10	8	12	10	14						
	10	8,23	12,5							7	11	9	13	11	15				
	11	9,05	13,75									8	12	10	14	12	16		
	12	9,87	15,0											8	14	11	16	15	20

► Numbers printed in bold and highlighted in blue = preferred selection. The complete number tables are available on request

Torques [Nm] single acting, Size 007 to 025

Actuator size	No. of springs	Md F [Nm]		Pneumatic net torque Md [Nm] at minimum control pressure Pst [bar]																
		min	max	3		3,5		4		4,5		5		5,5		6		7		
				min	max	min	max	min	max	min	max	min	max	min	max	min	max	min	max	
AGS-007	4	5,78	8,90																	
	5	7,23	11,13	11	15															
	6	8,67	13,35	9	14	13	18													
	7	10,12	15,58	7	12	11	16	14	20											
	8	11,56	17,80			8	15	12	18	16	22									
	9	13,01	20,03					10	17	14	21	17	24							
	10	14,45	22,25							11	19	15	23	19	27					
	11	15,90	24,48									13	22	17	25	20	29			
	12	17,34	26,70											14	24	18	28	26	35	
AGS-010	4	8,90	12,30																	
	5	11,13	15,38	16	21															
	6	13,35	18,45	13	18	19	24													
	7	15,58	21,53	10	16	16	22	21	27											
	8	17,80	24,60			13	19	18	25	23	30									
	9	20,03	27,68					15	22	20	28	25	33							
	10	22,25	30,75							17	25	22	31	28	36					
	11	24,48	33,83									19	29	24	34	30	39			
	12	26,70	36,90											21	32	27	37	37	48	
AGS-018	4	14,80	21,50																	
	5	18,50	26,88	28	36															
	6	22,20	32,25	22	32	31	41													
	7	25,90	37,63	17	29	26	38	35	47											
	8	29,60	43,00			21	34	30	43	39	52									
	9	33,30	48,38					24	39	33	48	42	57							
	10	37,00	53,75							28	45	37	54	46	63					
	11	40,70	59,13									32	50	41	59	50	68			
	12	44,40	64,50											35	55	44	65	63	83	
AGS-025	4	21,10	31,20																	
	5	26,38	39,00	38	50															
	6	31,65	46,80	30	45	42	58													
	7	36,93	54,60	22	40	35	52	47	65											
	8	42,20	62,40			27	47	40	60	52	73									
	9	47,48	70,20					32	55	45	67	57	80							
	10	52,75	78,00							37	62	50	75	62	88					
	11	58,03	85,80									42	69	54	82	67	95			
	12	63,30	93,60											47	77	59	90	85	115	

► Numbers printed in bold and highlighted in blue = preferred selection. The complete number tables are available on request

Torques [Nm] single acting, Size 045 to 130

Actuator size	No. of springs	Md F [Nm]		Pneumatic net torque Md [Nm] at minimum control pressure Pst [bar]															
		min	max	3		3,5		4		4,5		5		5,5		6		7	
				min	max	min	max	min	max	min	max	min	max	min	max	min	max	min	max
AGS-045	4	35,0	54,4																
	5	43,8	68,0	48	92														
	6	52,5	81,6	54	83	77	106												
	7	61,3	95,2	41	75	63	97	86	120										
	8	70,0	108,8			50	89	72	112	95	134								
	9	78,8	122,4					59	102	81	125	104	148						
	10	87,5	136,0							68	116	90	139	113	162				
	11	96,3	149,6									77	130	99	153	122	175		
	12	105,0	163,2											86	144	109	167	154	212
AGS-055	4	47,9	71,7																
	5	59,9	89,6	87	117														
	6	71,9	107,6	69	105	99	134												
	7	83,8	125,5	51	93	81	122	110	152										
	8	95,8	143,4			63	110	92	140	122	169								
	9	107,8	161,3					74	128	104	157	133	187						
	10	119,8	179,3							86	145	115	175	145	204				
	11	131,7	197,2									97	163	127	192	156	222		
	12	143,7	215,1											109	180	138	210	197	268
AGS-090	4	72,5	109,0																
	5	90,6	136,3	141	187														
	6	108,8	163,5	114	169	160	215												
	7	126,9	190,8	87	150	133	197	179	243										
	8	145,0	218,0			106	179	152	225	198	271								
	9	163,1	245,3					124	207	171	253	217	299						
	10	181,3	272,5							143	235	190	281	236	327				
	11	199,4	299,8									162	263	209	309	255	355		
	12	217,5	327,0											181	291	228	337	320	430
AGS-130	4	117,7	175,5																
	5	147,1	219,4	203	275														
	6	176,6	263,5	159	245	229	316												
	7	206,0	307,1	115	216	185	286	256	357										
	8	235,4	351,0			141	257	212	327	282	398								
	9	264,8	394,9					168	298	238	368	308	439						
	10	294,3	438,8							194	339	265	409	335	479				
	11	323,7	482,6									221	380	291	450	361	520		
	12	353,1	526,5											247	421	318	491	458	632

► Numbers printed in bold and highlighted in blue = preferred selection. The complete number tables are available on request

Torques [Nm] single acting, Size 260 to 600

Actuator size	No. of springs	Md F [Nm]		Pneumatic net torque Md [Nm] at minimum control pressure Pst [bar]															
		min	max	3		3,5		4		4,5		5		5,5		6		7	
				min	max	min	max	min	max	min	max	min	max	min	max	min	max	min	max
APS-260	4	208,0	288,0																
	5	260,0	360,0	429,0	529,0														
	6	313,0	432,0	357,0	476,0	488,5	607,5												
	7	365,0	503,0	286,0	424,0	417,5	555,5	549,0	687,0										
	8	417,0	575,0			345,5	503,5	477,0	635,0	608,5	766,5								
	9	469,0	647,0					405,0	583,0	536,5	714,5	668,0	846,0						
	10	521,0	719,0							464,5	662,5	596,0	794,0	727,5	925,5				
	11	573,0	791,0									524,0	742,0	655,5	873,5	787,0	1005		
	12	625,0	863,0											583,5	821,5	715,0	953,0	978,0	1216
APS-390	4	311	420																
	5	389	525	633	769														
	6	467	630	528	691	721	884												
	7	544	735	423	614	616	807	809	1000										
	8	622	840			511	729	704	922	897	1115								
	9	700	945					599	844	792	1037	985	1230						
	10	778	1050							687	959	880	1152	1073	1345				
	11	855	1155									775	1075	968	1268	1161	1461		
	12	933	1260											863	1190	1056	1383	1442	1769
APS-600	4	424	596																
	5	530	745	1016	1231														
	6	636	894	867	1125	1161	1419												
	7	742	1043	718	1019	1012	1313	1305	1606										
	8	848	1192			863	1207	1156	1500	1450	1794								
	9	954	1341					1007	1394	1301	1688	1594	1981						
	10	1060	1490							1152	1582	1445	1875	1739	2169				
	11	1166	1639									1296	1769	1590	2063	1883	2356		
	12	1272	1788											1441	1957	1734	2250	2321	2837

► Numbers printed in bold and highlighted in blue = preferred selection. The complete number tables are available on request

Torques [Nm] single acting, Size 760 to 1680

Actuator size	No. of springs	Md F [Nm]		Pneumatic net torque Md [Nm] at minimum control pressure Pst [bar]															
		min	max	3		3,5		4		4,5		5		5,5		6		7	
				min	max	min	max	min	max	min	max	min	max	min	max	min	max	min	max
APS-760	4	584	849																
	5	730	1061	1228	1559														
	6	876	1273	1016	1413	1397	1794												
	7	1022	1485			1185	1648	1567	2030										
	8	1168	1697					1355	1884	1736	2265								
	9	1314	1909							1524	2119	1906	2501						
	10	1460	2122									1693	2355	2074	2736				
	11	1606	2334											1862	2590	2244	2972		
12	1752	2546													2032	2826	2795	3589	
APS-1150	4	938	1361																
	5	1173	1702	1725	2254														
	6	1408	2043	1384	2019	1955	2590												
	7	1642	2383			1615	2356	2187	2928										
	8	1877	2724					1846	2693	2417	3264								
	9	2112	3064							2077	3029	2648	3600						
	10	2346	3405									2307	3366	2878	3937				
	11	2581	3745											2538	3702	3110	4274		
12	2816	4086													2769	4039	3911	5181	
APS-1680	7	1837	2880	2004	3047														
	8	2100	3292	1592	2784	2406	3598												
	9	2362	3703			1995	3336	2809	4150										
	10	2624	4115					2397	3888	3211	4702								
	11	2887	4526							2800	4439	3614	5253						
	12	3149	4938									3202	4991	4016	5805				
	13	3412	5349											3605	5542	4419	6356		
	14	3674	5761													4007	6094	5635	7722
15	3937	6172															5224	7459	
16	4199	6584															4812	7197	

► Numbers printed in bold and highlighted in blue = preferred selection. The complete number tables are available on request

Weights and switching times

Weights of double and single-acting quarter turn actuators	Size	Weight [kg] double acting		Weight [kg] single-acting (12 springs)
		90°	180°	
	002	0,90	-	-
	004	1,10	2,50	1,30
	007	1,60	3,60	1,80
	010	2,00	4,90	2,30
	018	2,60	5,60	3,00
	025	3,50	8,30	4,30
	045	5,80	12,20	6,60
	055	8,50	16,10	9,90
	090	10,40	24,10	12,90
	130	15,00	36,50	19,10
	260	40,00	84,00	49,60
	390	55,50	-	69,30
	600	83,80	-	106,60
	760	128,50	-	156,10
	1150	210,20	-	259,40
	1680	209,00	-	252,00

Switching times for double and single-acting rotary actuators	Size	Switching times [sed.] Double-acting		Switching times [sed.] Single-acting	
		0° - 90°	90° - 0°	0° - 90°	90° - 0°
	002	0,25	-	-	-
	004	0,20	0,30	0,40	0,30
	007	0,50	0,35	0,80	0,60
	010	0,60	0,40	0,90	0,70
	018	0,70	0,50	1,00	0,80
	025	0,80	0,75	1,10	1,00
	045	1,20	1,25	1,10	1,00
	055	1,50	1,60	1,20	1,10
	090	1,80	1,80	1,40	1,30
	130	2,00	1,90	1,50	1,40
	260	2,80	2,80	2,60	2,30
	390	4,10	4,10	3,70	3,20
	600	2,90	2,90	3,40	2,20
	760	3,60	3,60	4,40	2,80
	1150	5,70	5,70	6,60	3,80
	1680	7,50	7,50	11,10	8,70

- * ▶ The specified switching times are guide values at 6bar control pressure directly on the actuator without load! At high switching speeds of the valve, impermissibly high braking forces can occur in the end positions of the actuator, which can lead to mechanical destruction of the actuator. Corrective action through throttling (supply or exhaust air) directly on the actuator or by selecting a bigger actuator!
- ▶ The switching times of the single-acting actuators are all indicated with 12 built-in springs!
- ▶ The actuator sizes AGD/S-002 up to APD/S-390 were controlled via a ¼" NAMUR solenoid valve with a flow rate of 1250 NI/min and a supply air hose (length 2 m) with an inner diameter of 6 mm.
- ▶ The actuator sizes APD/S-600-1680 were controlled via a ½" NAMUR solenoid valve with a flow rate of 3000 NI / min and a supply air hose (length 2 m) with an internal diameter of 8 mm
- ▶ The switching times were determined with unthrottled actuators!

Air consumption

Actuator	Volume [l]	Double stroke	Control pressure [bar]										
			2	2,5	3	3,5	4	4,5	5	5,5	6	7	8
002	AGD	0,10	0,30	0,35	0,40	0,45	0,49	0,54	0,59	0,64	0,69	0,79	0,89
004	AGD	0,20	0,59	0,69	0,79	0,89	0,99	1,09	1,19	1,29	1,38	1,58	1,78
	AGS	0,10	0,30	0,35	0,40	0,45	0,49	0,54	0,59	0,64	0,69	0,79	0,89
007	AGD	0,35	1,04	1,21	1,39	1,56	1,73	1,90	2,08	2,25	2,42	2,77	3,11
	AGS	0,18	0,54	0,62	0,71	0,80	0,89	0,98	1,07	1,16	1,25	1,42	1,60
010	AGD	0,50	1,49	1,73	1,98	2,23	2,47	2,72	2,97	3,21	3,46	3,96	4,45
	AGS	0,30	0,89	1,04	1,19	1,34	1,48	1,63	1,78	1,93	2,08	2,37	2,67
018	AGD	0,80	2,38	2,77	3,17	3,56	3,96	4,35	4,75	5,14	5,54	6,33	7,12
	AGS	0,50	1,49	1,73	1,98	2,23	2,47	2,72	2,97	3,21	3,46	3,96	4,45
025	AGD	1,40	4,16	4,86	5,55	6,24	6,93	7,62	8,31	9,00	9,69	11,07	12,46
	AGS	0,65	1,93	2,25	2,57	2,90	3,22	3,54	3,86	4,18	4,50	5,14	5,78
045	AGD	2,00	5,95	6,94	7,92	8,91	9,90	10,88	11,87	12,86	13,85	15,82	17,79
	AGS	0,85	2,53	2,95	3,37	3,79	4,21	4,63	5,05	5,47	5,88	6,72	7,56
055	AGD	2,90	8,63	10,06	11,49	12,92	14,35	15,78	17,21	18,65	20,08	22,94	25,80
	AGS	1,40	4,16	4,86	5,55	6,24	6,93	7,62	8,31	9,00	9,69	11,07	12,46
090	AGD	5,20	15,47	18,03	20,60	23,17	25,73	28,30	30,87	33,43	36,00	41,13	46,27
	AGS	2,60	7,73	9,02	10,30	11,58	12,87	14,15	15,43	16,72	18,00	20,57	23,13
130	AGD	7,90	23,50	27,40	31,30	35,20	39,09	42,99	46,89	50,79	54,69	62,49	70,29
	AGS	3,90	11,60	13,52	15,45	17,37	19,30	21,22	23,15	25,07	27,00	30,85	34,70
260	APD	17,60	52,35	61,04	69,72	78,41	87,10	95,78	104,47	113,16	121,84	139,22	156,59
	APS	7,40	22,01	25,66	29,32	32,97	36,62	40,27	43,93	47,58	51,23	58,54	65,84
390	APD	25,50	75,85	88,43	101,02	113,60	126,19	138,78	151,36	163,95	176,54	201,71	226,88
	APS	14,00	41,64	48,55	55,46	62,37	69,28	76,19	83,10	90,01	96,92	110,74	124,56
600	APD	38,70	115,11	134,21	153,31	172,41	191,51	210,62	229,72	248,82	267,92	306,12	344,33
	APS	21,00	62,46	72,83	83,19	93,56	103,92	114,29	124,65	135,02	145,38	166,11	186,84
760	APD	51,10	151,99	177,21	202,43	227,65	252,88	278,10	303,32	328,54	353,77	404,21	454,65
	APS	28,00	83,28	97,10	110,92	124,74	138,56	152,38	166,20	180,02	193,84	221,48	249,13
1150	APD	79,30	235,86	159,52	182,23	204,93	227,64	250,34	273,05	295,75	318,46	363,87	409,28
	APS	43,00	127,90	86,70	99,04	111,38	123,72	136,06	148,40	160,74	173,08	197,75	222,43
1680	APD	117,10	348,29	406,09	463,89	521,69	579,49	637,29	695,09	752,88	810,68	926,28	1041,88
	APS	64,50	191,84	223,68	255,52	287,35	319,19	351,03	382,86	414,70	446,53	510,21	573,88

Double acting: 1 stroke corresponds to 1x OPEN (0° -90°) and 1x CLOSE (90°-0°)

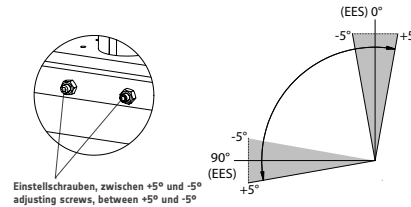
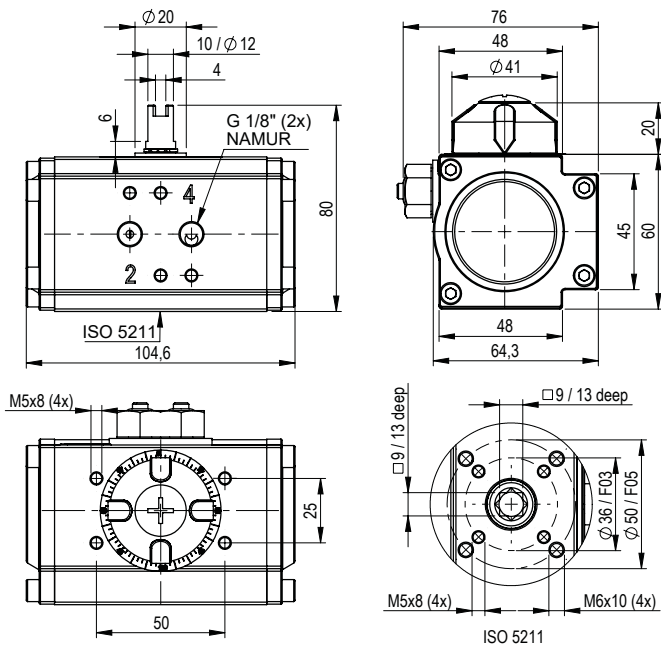
Single acting: 1 stroke corresponds to 1x OPEN (0° -90°) and 1x CLOSE (90° -0° via spring force)

Calculation basis: Average atmospheric pressure of 1013 mbar at an ambient temperature of + 20° C

Datasheet AGD-002



AGD-002



Endlageneinstellung / End position adjustment

In beiden Endstellungen kann mit den Endlagen-Einstellschrauben der Schwenkwinkel in drucklosem Zustand zwischen +5° und -5° eingestellt werden.

The pivoting angle can be adjusted in both end positions in pressure free conditions between +5° and -5°.

Drehmomente doppelwirkender Antrieb (Nm) / Torque-table double-acting actuator (Nm)

Antriebstyp Actuator type	Steuerdruck Pst (bar) / Control pressure Pst (bar)										
	2	2,5	3	3,5	4	4,5	5	5,5	6	7	8
AGD - 002	5,1	6,4	7,6	8,9	10,2	11,4	12,7	14,0	15,2	17,8	20,3

Technische Daten / Technical Data

Steuerdruck / Control pressure

Steuerdruck: 2-8 bar
Steuerdruckmedium/Qualität: Gefilterte Druckluft mindestens nach DIN/ISO 8573-1 Klasse 4
Control pressure: 2-8 bar
Control medium/ quality: Filtered air minimum acc. to DIN/ISO 8573-1 Class 4

Schaltzeit (sek*) / switch time (sec*)

AGD
0,2

* Die angegebenen Schaltzeiten sind Richtwerte für einen Doppelhub bei 5 bar Steuerdruck und 50% Nennlast. Bei hohen Stellgeschwindigkeiten der Armatur können unzulässig große Bremskräfte in den Endlagen des Antriebes auftreten. Abhilfe: Drosselung der Abluft oder Auswahl eines größeren Antriebs. Einfachwirkende Schwenkantriebe mit 12 Federn.

* Quoted switch times are guidelines for a double-stroke at 5 bar control pressure and at 50% rated loading. With high valve actuating speeds potentially dangerous large braking forces can arise in the actuator end positions. Tip: Throttle the exhaust air or select a larger actuator. Single action actuators with 12 springs.

Werkstoffe / Materials

Gehäuse: AL-Legierung, eloxiert, außen PP-beschichtet
Deckel: AL-Legierung, PP-beschichtet
Kolben: AL-Legierung
Ritzel: AL-Legierung, hart eloxiert
Namur Welle: SS316
Dichtungen: NBR (Perbunan)
Lager: Kunststoff, POM (Delrin)
Schrauben: Edelstahl 1.4301
Housing: Al-alloy, anodised, outside PP-coated
Caps: Al-alloy, PP-coated
Piston: Al-alloy
Pinion: Al-alloy, hard-anodised
Namur shaft: SS316
Seals: NBR (Perbunan)
Bearing: Plastic, POM
Screws: Stainless steel 1.4301

Gewicht, Luftverbrauch / Weight, air consumption

Antriebstypen/ Actuator type	AGD
Gewicht/ Weight (kg)	0,7
Volumen/ Volume (l) Doppelhub/ Double-stroke	0,1

Umgebungstemperatur / Ambient temperature

Standard	-35°C bis +80°C
Hochtemp. / High-temp (HT)	-15°C bis +140°C
Tieftemp. / Low-temp (TT)	-50°C bis +70°C

Auf Wunsch / Optional extras

- Andere Gehäusebeschichtungen
- Ritzel: Edelstahl AISI 304 oder 316
- 3 - Positions - Antriebe 0°-90°-180°/0°-45°-90°
- Other housing coatings
- Pinion: stainless steel AISI 304 or 316
- 3 - positions - actuator 0°-90°-180°/0°-45°-90°

Bestellbezeichnung / Ordering code

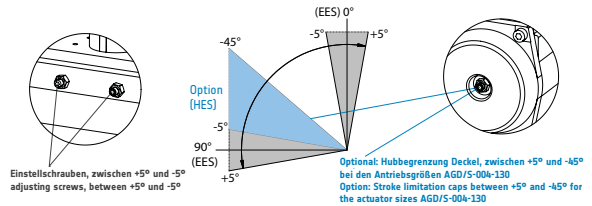
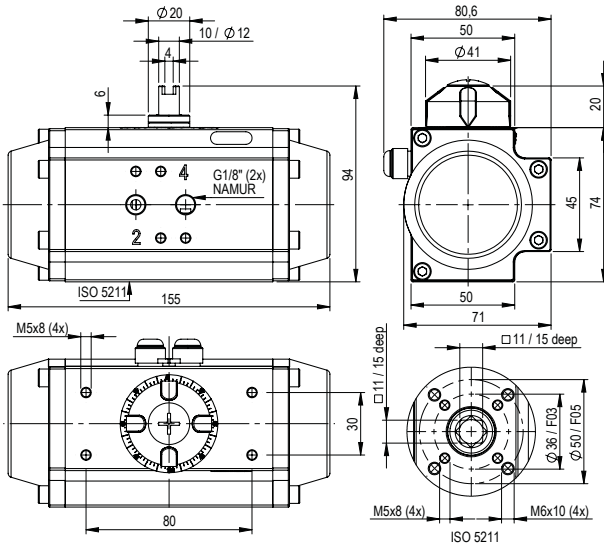
AGD - 002 / 090 - V9 - H (siehe Montagevarianten)

AGD = doppelwirkend mit Federdeckel / double acting with spring end caps

Service-Hotline für Rückfragen und Informationen: +49 (0) 2644 / 40697-0
Weitere Informationen finden sie auch unter www.airpower-gmbh.com

For further information visit our website at www.airpower-gmbh.com or simply give us a call under: +49 (0) 2644 / 40697-0

Datasheet AGD/AGS-004



Endlageneinstellung / End position adjustment

In beiden Endstellungen kann mit den Endlagen-Einstellschrauben der Schwenkwinkel in drucklosem Zustand zwischen +5° und -5° eingestellt werden. Optional kann der Nennschwenkwinkel des geschalteten Antriebs (90°) über die Hubeinstellschrauben im Deckel um +5° bis -45° begrenzt werden.

The pivoting angle can be adjusted in both end positions in pressure free conditions between +5° and -5°. As an option, the pivoting angle of the switched position of the actuator (90°) can be adjusted by the setting screws in the caps of the actuator between +5° and -45°.

Drehmomente doppelwirkender Antrieb (Nm) / Torque-table double-acting actuator (Nm)

Antriebstyp Actuator type	Steuerdruck Pst (bar) / Control pressure Pst (bar)										
	2	2,5	3	3,5	4	4,5	5	5,5	6	7	8
AGD - 004	8,5	10,6	12,8	14,9	17,0	19,1	21,3	23,4	25,5	29,8	34,0

Drehmomente einwirkender Antrieb (Nm) / Torque-table single-acting actuator (Nm)

Antriebstyp Actuator type	Federanzahl No. Springs	Md F (Nm)		Pneumatisches Nutzmoment Md (Nm) bei Mindeststeuerdruck Pst (bar) / Pneumatic Applied Torque Md (Nm) at Minimum Control Pressure Pst (bar)																			
		min max		2		2,5		3		3,5		4		4,5		5		5,5		6		7	
				min	max	min	max	min	max	min	max	min	max	min	max	min	max	min	max	min	max	min	max
AGS-004	4	3,29	5,00	4	5	6	7																
	5	4,11	6,25	2	4	4	7	7	9														
	6	4,94	7,50			3	6	5	8	7	10												
	7	5,76	8,75					4	7	6	9	8	11										
	8	6,58	10,00							5	8	7	10	9	13								
	9	7,40	11,25									6	10	8	12	10	14						
	10	8,23	12,50											7	11	9	13	11	15				
	11	9,05	13,75													8	12	10	14	12	16		
	12	9,87	15,00													8	14	11	16	11	16	15	20

Technische Daten / Technical Data

Steuerdruck / Control pressure

Steuerdruck: 2-8 bar
Steuerdruckmedium/Qualität: Gefilterte Druckluft mindestens nach DIN/ISO 8573-1 Klasse 4

Control pressure: 2-8 bar
Control medium/ quality: Filtered air minimum acc. to DIN/ISO 8573-1 Class 4

Schaltzeit (sek*) / switch time (sec*)

AGD	AGS	
0,2	0-90°	90-0°
	0,4	0,3

* Die angegebenen Schaltzeiten sind Richtwerte für einen Doppelhub bei 5 bar Steuerdruck und 50% Nennlast. Bei hohen Stellgeschwindigkeiten der Armatur können unzulässig große Bremskräfte in den Endlagen des Antriebes auftreten. Abhilfe: Drosselung der Abluft oder Auswahl eines größeren Antriebs. Einfachwirkende Schwenkantriebe mit 12 Federn.

* Quoted switch times are guidelines for a double-stroke at 5 bar control pressure and at 50% rated loading. With high valve actuating speeds potentially dangerous large braking forces can arise in the actuator end positions. Tip: Throttle the exhaust air or select a larger actuator. Single action actuators with 12 springs.

Werkstoffe / Materials

Gehäuse: AL-Legierung, eloxiert, außen PP-beschichtet
Deckel: AL-Legierung, PP-beschichtet
Kolben: AL-Legierung
Ritzel: AL-Legierung, hart eloxiert
Namur Welle: SS316
Dichtungen: NBR (Perbunan)
Lager: PTFE 25% Kohle
Schrauben: Edelstahl 1.4301
Housing: Al-alloy, anodised, outside PP-coated
Caps: Al-alloy, PP-coated
Piston: Al-alloy
Pinion: Al-alloy, hard-anodised
Namur shaft: SS316
Seals: NBR (Perbunan)
Bearing: PTFE 25% coal
Screws: Stainless steel 1.4301

Gewicht, Luftverbrauch / Weight, air consumption

Antriebstypen/ Actuator type	AGD	AGS
Gewicht/ Weight (kg)	1,10	1,30
Volumen/ Volume (l)		
Doppelhub/ Double-stroke	0,20	0,10

Umgebungstemperatur / Ambient temperature

Standard	-35°C bis +80°C
Hochtemp. / High-temp (HT)	-15°C bis +140°C
Tieftemp. / Low-temp (TT)	-50°C bis +70°C

Auf Wunsch / Optional extras

- Andere Gehäusebeschichtungen
- Ausführung AGDK, doppelwirkend mit kurzen Deckeln (bei Bedarf mit Endlageneinstellung, siehe Seite 1)
- Ritzel: Edelstahl AISI 304 oder 316
- 135° Antriebe: Schwenkwinkel von 135° bis 90° einstellbar
- 180° Antriebe: Schwenkwinkel von 180° bis 120° einstellbar
- 3 - Positionen - Antriebe 0°-90°-180°/0°-45°-90°
- Other housing coatings
- Type AGDK, double acting with short end caps (if required with end position adjustment, see page 1)
- Pinion: stainless steel AISI 304 or 316
- 135° actuator: rotation 135° to 90° adjustable
- 180° actuator: rotation 180° to 120° adjustable
- 3 - positions - actuator 0°-90°-180°/0°-45°-90°



Bestellbezeichnung / Ordering code

AGD - 004 / 090 - V11 - H (siehe Montagevarianten)
AGS - 004 / 090 - 06* - V11 - H (see assembly variants)

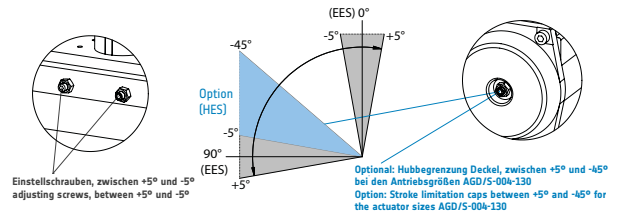
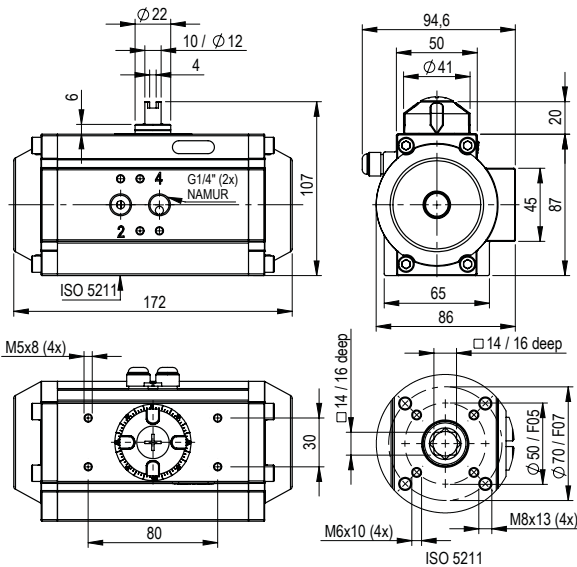
* Federzahl: 4 bis 12 Stück, nach vorhandenem Steuerdruck
* The number of springs (4 up to 12 pcs.) must be matched to the control pressure beforehand.

AGD = doppelwirkend mit Federdeckel / double acting with spring end caps
AGS = einwirkend mit Federn / single acting with spring
Option: AGDK = doppelwirkend mit kurzem Deckel / double acting with short end caps

Service-Hotline für Rückfragen und Informationen: +49 (0) 2644 / 40697-0
Weitere Informationen finden sie auch unter www.airpower-gmbh.com

For further information visit our website at www.airpower-gmbh.com or simply give us a call under: +49 (0) 2644 / 40697-0

Datasheet AGD/AGS-007



Endlageneinstellung / End position adjustment

In beiden Endstellungen kann mit den Endlagen-Einstellschrauben der Schwenkwinkel in drucklosem Zustand zwischen +5° und -5° eingestellt werden. Optional kann der Nennschwenkwinkel des geschalteten Antriebs (90°) über die Hubeinstellschrauben im Deckel um +5° bis -45° begrenzt werden.

The pivoting angle can be adjusted in both end positions in pressure free conditions between +5° and -5°. As an option, the pivoting angle of the switched position of the actuator (90°) can be adjusted by the setting screws in the caps of the actuator between +5° and -45°.

Drehmomente doppelwirkender Antrieb (Nm) / Torque-table double-acting actuator (Nm)

Antriebstyp Actuator type	Steuerdruck Pst (bar) / Control pressure Pst (bar)																					
	2	2,5	3	3,5	4	4,5	5	5,5	6	7	8	2	2,5	3	3,5	4	4,5	5	5,5	6	7	8
AGD - 007	14,9	18,7	22,4	26,2	29,9	33,7	37,4	41,1	44,9	52,4	59,8	14,9	18,7	22,4	26,2	29,9	33,7	37,4	41,1	44,9	52,4	59,8

Drehmomente einwirkender Antrieb (Nm) / Torque-table single-acting actuator (Nm)

Antriebstyp Actuator type	Federanzahl No. Springs	Md F (Nm)		Pneumatisches Nutzmoment Md (Nm) bei Mindeststeuerdruck Pst (bar) / Pneumatic Applied Torque Md (Nm) at Minimum Control Pressure Pst (bar)																				
		min	max	2		2,5		3		3,5		4		4,5		5		5,5		6		7		
		min	max	min	max	min	max	min	max	min	max	min	max	min	max	min	max	min	max	min	max	min	max	
AGS-007	4	5,78	8,90	6	9	10	13																	
	5	7,23	11,13	4	8	8	11	11	15															
	6	8,67	13,35			5	10	9	14	13	18													
	7	10,12	15,58					7	12	11	16	14	20											
	8	11,56	17,80									12	18	16	22									
	9	13,01	20,03									8	15	10	17	14	21	17	24					
	10	14,45	22,25												11	19	15	23	19	27				
	11	15,90	24,48														13	22	17	25	20	29		
	12	17,34	26,70																14	24	18	28	26	35

Technische Daten / Technical Data

Steuerdruck / Control pressure

Steuerdruck: 2-8 bar
Steuerdruckmedium/Qualität: Gefilterte Druckluft mindestens nach DIN/ISO 8573-1 Klasse 4

Control pressure: 2-8 bar
Control medium/ quality: Filtered air minimum acc. to DIN/ISO 8573-1 Class 4

Schaltzeit (sek*) / switch time (sec*)

AGD	AGS	
0,5	0-90°	90-0°
	0,8	0,6

* Die angegebenen Schaltzeiten sind Richtwerte für einen Doppelhub bei 5 bar Steuerdruck und 50% Nennlast. Bei hohen Stellgeschwindigkeiten der Armatur können unzulässig große Bremskräfte in den Endlagen des Antriebs auftreten. Abhilfe: Drosselung der Abluft oder Auswahl eines größeren Antriebs. Einfachwirkende Schwenkantriebe mit 12 Federn.

* Quoted switch times are guidelines for a double-stroke at 5 bar control pressure and at 50% rated loading. With high valve actuating speeds potentially dangerous large braking forces can arise in the actuator end positions. Tip: Throttle the exhaust air or select a larger actuator. Single action actuators with 12 springs.

Werkstoffe / Materials

Gehäuse: AL-Legierung, eloxiert, außen PP-beschichtet
Deckel: AL-Legierung, PP-beschichtet
Kolben: AL-Legierung
Ritzel: AL-Legierung, hart eloxiert
Namur Welle: S5316
Dichtungen: NBR (Perbunan)
Lager: PTFE 25% Kohle
Schrauben: Edelstahl 1.4301
Housing: Al-alloy, anodised, outside PP-coated
Caps: Al-alloy, PP-coated
Piston: Al-alloy
Pinion: Al-alloy, hard-anodised
Namur shaft: S5316
Seals: NBR (Perbunan)
Bearing: PTFE 25% coal
Screws: Stainless steel 1.4301

Gewicht, Luftverbrauch / Weight, air consumption

Antriebstypen/ Actuator type	AGD	AGS
Gewicht/ Weight (kg)	1,60	1,80
Volumen/ Volume (l)	0,35	0,18
Doppelhub/ Double-stroke		

Umgebungstemperatur / Ambient temperature

Standard	-35°C bis +80°C
Hochtemp. / High-temp (HT)	-15°C bis +140°C
Tieftemp. / Low-temp (TT)	-50°C bis +70°C

Auf Wunsch / Optional extras

- Andere Gehäusebeschichtungen
- Ausführung AGDK, doppelwirkend mit kurzen Deckeln (bei Bedarf mit Endlageneinstellung, siehe Seite 1)
- Ritzel: Edelstahl AISI 304 oder 316
- 135° Antriebe: Schwenkwinkel von 135° bis 90° einstellbar
- 180° Antriebe: Schwenkwinkel von 180° bis 120° einstellbar
- 3 - Positionen - Antriebe 0°-90°-180°/0°-45°-90°
- Other housing coatings
- Type AGDK, double acting with short end caps (if required with end position adjustment, see page 1)
- Pinion: stainless steel AISI 304 or 316
- 135° actuator: rotation 135° to 90° adjustable
- 180° actuator: rotation 180° to 120° adjustable
- 3 - positions - actuator 0°-90°-180°/0°-45°-90°



Bestellbezeichnung / Ordering code

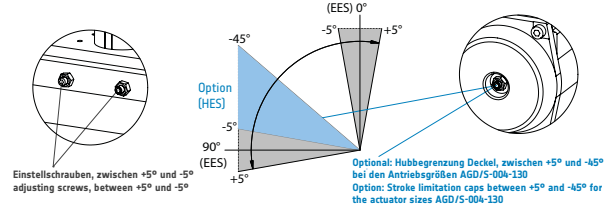
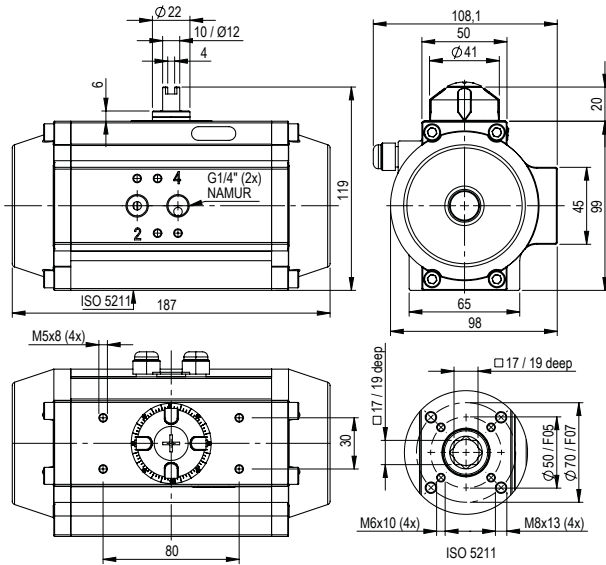
AGD - 007 / 090 - V14 - H (siehe Montagevarianten)
AGS - 007 / 090 - 06* - V14 - H (see assembly variants)
* Federzahl: 4 bis 12 Stück, nach vorhandenem Steuerdruck
* The number of springs (4 up to 12 pcs.) must be matched to the control pressure beforehand.

AGD = doppelwirkend mit Federdeckel / double acting with spring end caps
AGS = einwirkend mit Federn / single acting with spring
Option: AGDK = doppelwirkend mit kurzem Deckel / double acting with short end caps

Service-Hotline für Rückfragen und Informationen: +49 (0) 2644 / 40697-0
Weitere Informationen finden sie auch unter www.airpower-gmbh.com

For further information visit our website at www.airpower-gmbh.com or simply give us a call under: +49 (0) 2644 / 40697-0

Datasheet AGD/AGS-010



Endlageneinstellung / End position adjustment

In beiden Endstellungen kann mit den Endlagen-Einstellschrauben der Schwenkwinkel in drucklosem Zustand zwischen +5° und -5° eingestellt werden. Optional kann der Nennschwenkwinkel des geschalteten Antriebs (90°) über die Hubeinstellschrauben im Deckel um +5° bis -45° begrenzt werden.

The pivoting angle can be adjusted in both end positions in pressure free conditions between +5° and -5°. As an option, the pivoting angle of the switched position of the actuator (90°) can be adjusted by the setting screws in the caps of the actuator between +5° and -45°.

Drehmomente doppeltwirkender Antrieb (Nm) / Torque-table double-acting actuator (Nm)

Antriebstyp Actuator type	Steuerdruck Pst (bar) / Control pressure Pst (bar)										
	2	2,5	3	3,5	4	4,5	5	5,5	6	7	8
AGD - 010	21,2	26,5	31,8	37,1	42,4	47,7	53,0	58,3	63,6	74,2	84,8

Drehmomente einwirkender Antrieb (Nm) / Torque-table single-acting actuator (Nm)

Antriebstyp Actuator type	Federanzahl No. Springs	Md F (Nm)		Pneumatisches Nutzmoment Md (Nm) bei Mindeststeuerdruck Pst (bar) / Pneumatic Applied Torque Md (Nm) at Minimum Control Pressure Pst (bar)																			
		min	max	2		2,5		3		3,5		4		4,5		5		5,5		6		7	
				min	max	min	max	min	max	min	max	min	max	min	max	min	max	min	max	min	max	min	max
AGS-010	4	8,90	12,30	9	12	14	18																
	5	11,13	15,38	6	10	11	15	16	21														
	6	13,35	18,45			8	13	13	18	19	24												
	7	15,58	21,53					10	16	16	22	21	27										
	8	17,80	24,60							13	19	18	25	23	30								
	9	20,03	27,68									15	22	20	28	25	33						
	10	22,25	30,75											17	25	22	31	28	36				
	11	24,48	33,83													19	29	24	34	30	39		
	12	26,70	36,90														21	32	27	37	37	48	

Technische Daten / Technical Data

Steuerdruck / Control pressure

Steuerdruck: 2-8 bar
Steuerdruckmedium/Qualität: Gefilterte Druckluft mindestens nach DIN/ISO 8573-1 Klasse 4

Control pressure: 2-8 bar
Control medium/ quality: Filtered air minimum acc. to DIN/ISO 8573-1 Class 4

Schaltzeit (sek*) / switch time (sec*)

AGD	AGS	
0,6	0-90°	90-0°
	0,9	0,7

* Die angegebenen Schaltzeiten sind Richtwerte für einen Doppelhub bei 5 bar Steuerdruck und 50% Nennlast. Bei hohen Stellgeschwindigkeiten der Armatur können unzulässig große Bremskräfte in den Endlagen des Antriebes auftreten. Abhilfe: Drosselung der Abluft oder Auswahl eines größeren Antriebs. Einfachwirkende Schwenkantriebe mit 12 Federn.

* Quoted switch times are guidelines for a double-stroke at 5 bar control pressure and at 50% rated loading. With high valve actuating speeds potentially dangerous large braking forces can arise in the actuator end positions. Tip: Throttle the exhaust air or select a larger actuator. Single action actuators with 12 springs.

Werkstoffe / Materials

Gehäuse: AL-Legierung, eloxiert, außen PP-beschichtet
Deckel: AL-Legierung, PP-beschichtet
Kolben: AL-Legierung
Ritzel: AL-Legierung, hart eloxiert
Nampur Welle: SS316
Dichtungen: NBR (Perbunan)
Lager: PTFE 25% Kohle
Schrauben: Edelstahl 1.4301
Housing: Al-alloy, anodised, outside PP-coated
Caps: Al-alloy, PP-coated
Piston: Al-alloy
Pinion: Al-alloy, hard-anodised
Namur shaft: SS316
Seals: NBR (Perbunan)
Bearing: PTFE 25% coal
Screws: Stainless steel 1.4301

Gewicht, Luftverbrauch / Weight, air consumption

Antriebstypen/ Actuator type	AGD	AGS
Gewicht/ Weight (kg)	2,00	2,30
Volumen/ Volume (l)	0,50	0,30
Doppelhub/ Double-stroke		

Umgebungstemperatur / Ambient temperature

Standard	-35°C bis +80°C
Hochtemp. / High-temp (HT)	-15°C bis +140°C
Tieftemp. / Low-temp (TT)	-50°C bis +70°C

Auf Wunsch / Optional extras

- Andere Gehäusebeschichtungen
- Ausführung AGDK, doppeltwirkend mit kurzen Deckeln (bei Bedarf mit Endlageneinstellung, siehe Seite 1)
- Ritzel: Edelstahl AISI 304 oder 316
- 135° Antriebe: Schwenkwinkel von 135° bis 90° einstellbar
- 180° Antriebe: Schwenkwinkel von 180° bis 120° einstellbar
- 3 - Positions - Antriebe 0°-90°-180°/0°-45°-90°
- Other housing coatings
- Type AGDK, double acting with short end caps (if required with end position adjustment, see page 1)
- Pinion: stainless steel AISI 304 or 316
- 135° actuator: rotation 135° to 90° adjustable
- 180° actuator: rotation 180° to 120° adjustable
- 3 - positions - actuator 0°-90°-180°/0°-45°-90°



Bestellbezeichnung / Ordering code

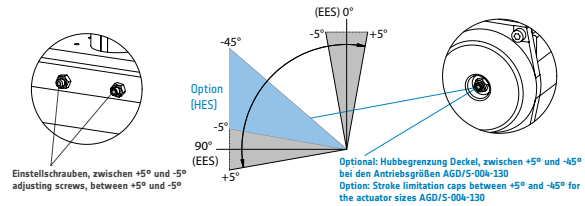
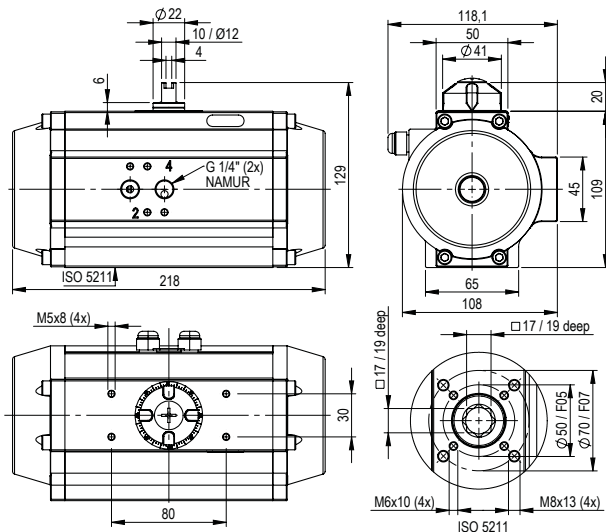
AGD - 010 / 090 - V17 - H (siehe Montagevarianten)
AGS - 010 / 090 - 06* - V17 - H (see assembly variants)
* Federzahl: 4 bis 12 Stück, nach vorhandenem Steuerdruck
* The number of springs (4 up to 12 pcs.) must be matched to the control pressure beforehand.

AGD = doppeltwirkend mit Federdeckel / double acting with spring end caps
AGS = einwirkend mit Federn / single acting with spring
Option: AGDK = doppeltwirkend mit kurzem Deckel / double acting with short end caps

Service-Hotline für Rückfragen und Informationen: +49 (0) 2644 / 40697-0
Weitere Informationen finden sie auch unter www.airpower-gmbh.com

For further information visit our website at www.airpower-gmbh.com or simply give us a call under: +49 (0) 2644 / 40697-0

Datasheet AGD/AGS-018



Endlageneinstellung / End position adjustment

In beiden Endstellungen kann mit den Endlagen-Einstellschrauben der Schwenkwinkel in drucklosem Zustand zwischen +5° und -5° eingestellt werden. Optional kann der Nennschwenkwinkel des geschalteten Antriebs (90°) über die Hubeinstellschrauben im Deckel um +5° bis -45° begrenzt werden.

The pivoting angle can be adjusted in both end positions in pressure free conditions between +5° and -5°. As an option, the pivoting angle of the switched position of the actuator (90°) can be adjusted by the setting screws in the caps of the actuator between +5° and -45°.

Drehmomente doppelwirkender Antrieb (Nm) / Torque-table double-acting actuator (Nm)

Antriebstyp Actuator type	Steuerdruck Pst (bar) / Control pressure Pst (bar)										
	2	2,5	3	3,5	4	4,5	5	5,5	6	7	8
AGD - 018	36,3	45,4	54,5	63,5	72,6	81,7	90,8	99,8	108,9	127,1	145,2

Drehmomente einwirkender Antrieb (Nm) / Torque-table single-acting actuator (Nm)

Antriebstyp Actuator type	Federanzahl No. Springs	Md F (Nm)		Pneumatisches Nutzmoment Md (Nm) bei Mindeststeuerdruck Pst (bar) / Pneumatic Applied Torque Md (Nm) at Minimum Control Pressure Pst (bar)																				
		min	max	2		2,5		3		3,5		4		4,5		5		5,5		6		7		
		min	max	min	max	min	max	min	max	min	max	min	max	min	max	min	max	min	max	min	max	min	max	
AGS-018	4	14,80	21,50	15	22	24	31																	
	5	18,50	26,88	9	18	19	27	28	36															
	6	22,20	32,25			13	23	22	32	31	41													
	7	25,90	37,63					17	29	26	38	35	47											
	8	29,60	43,00							21	34	30	43	39	52									
	9	33,30	48,38									24	39	33	48	42	57							
	10	37,00	53,75											28	45	37	54	46	63					
	11	40,70	59,13													32	50	41	59	50	68			
	12	44,40	64,50														35	55	44	65	63	83		

Technische Daten / Technical Data

Steuerdruck / Control pressure

Steuerdruck: 2-8 bar
Steuerdruckmedium/Qualität: Gefilterte Druckluft mindestens nach DIN/ISO 8573-1 Klasse 4

Control pressure: 2-8 bar
Control medium/ quality: Filtered air minimum acc. to DIN/ISO 8573-1 Class 4

Schaltzeit (sek*) / switch time (sec*)

AGD	AGS	
0,7	0-90°	90-0°
	1,0	0,8

* Die angegebenen Schaltzeiten sind Richtwerte für einen Doppelhub bei 5 bar Steuerdruck und 50% Nennlast. Bei hohen Stellgeschwindigkeiten der Armatur können unzulässig große Bremskräfte in den Endlagen des Antriebes auftreten. Abhilfe: Drosselung der Abluft oder Auswahl eines größeren Antriebs. Einfachwirkende Schwenkantriebe mit 12 Federn.

* Quoted switch times are guidelines for a double-stroke at 5 bar control pressure and at 50% rated loading. With high valve actuating speeds potentially dangerous large braking forces can arise in the actuator end positions. Tip: Throttle the exhaust air or select a larger actuator. Single action actuators with 12 springs.

Werkstoffe / Materials

Gehäuse: AL-Legierung, eloxiert, außen PP-beschichtet
Deckel: AL-Legierung, PP-beschichtet
Kolben: AL-Legierung
Ritzel: AL-Legierung, hart eloxiert
Namur Welle: SS316
Dichtungen: NBR (Perbunan)
Lager: PTFE 25% Kohle
Schrauben: Edelstahl 1.4301
Housing: Al-alloy, anodised, outside PP-coated
Caps: Al-alloy, PP-coated
Piston: Al-alloy
Pinion: Al-alloy, hard-anodised
Namur shaft: SS316
Seals: NBR (Perbunan)
Bearing: PTFE 25% coal
Screws: Stainless steel 1.4301

Gewicht, Luftverbrauch / Weight, air consumption

Antriebstypen/ Actuator type	AGD	AGS
Gewicht/ Weight (kg)	2,60	3,00
Volumen/ Volume (l)	0,80	0,50
Doppelhub/ Double-stroke		

Umgebungstemperatur / Ambient temperature

Standard	-35°C bis +80°C
Hochtemp. / High-temp (HT)	-15°C bis +140°C
Tieftemp. / Low-temp (TT)	-50°C bis +70°C

Auf Wunsch / Optional extras

- Andere Gehäusebeschichtungen
- Ausführung AGDK, doppelwirkend mit kurzen Deckeln (bei Bedarf mit Endlageneinstellung, siehe Seite 1)
- Ritzel: Edelstahl AISI 304 oder 316
- 135° Antriebe: Schwenkwinkel von 135° bis 90° einstellbar
- 180° Antriebe: Schwenkwinkel von 180° bis 120° einstellbar
- 3 - Positions - Antriebe 0°-90°-180°/0°-45°-90°
- Other housing coatings
- Type AGDK, double acting with short end caps (if required with end position adjustment, see page 1)
- Pinion: stainless steel AISI 304 or 316
- 135° actuator: rotation 135° to 90° adjustable
- 180° actuator: rotation 180° to 120° adjustable
- 3 - positions - actuator 0°-90°-180°/0°-45°-90°



Bestellbezeichnung / Ordering code

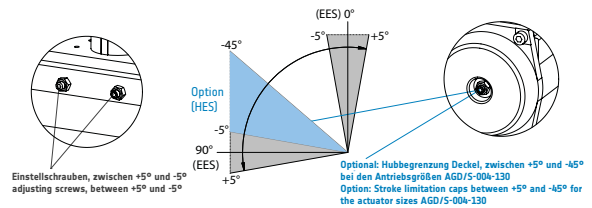
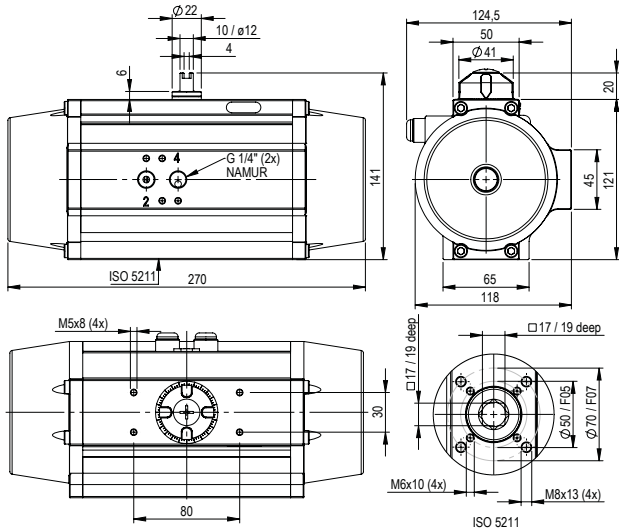
AGD - 018 / 090 - V17 - H (siehe Montagevarianten)
AGS - 018 / 090 - 06* - V17 - H (see assembly variants)
* Federzahl: 4 bis 12 Stück, nach vorhandenem Steuerdruck
* The number of springs (4 up to 12 pcs.) must be matched to the control pressure beforehand.

AGD = doppelwirkend mit Federdeckel / double acting with spring end caps
AGS = einwirkend mit Federn / single acting with spring
Option: AGDK = doppelwirkend mit kurzem Deckel / double acting with short end caps

Service-Hotline für Rückfragen und Informationen: +49 (0) 2644 / 40697-0
Weitere Informationen finden sie auch unter www.airpower-gmbh.com

For further information visit our website at www.airpower-gmbh.com or simply give us a call under: +49 (0) 2644 / 40697-0

Datasheet AGD/AGS-025



Endlageneinstellung / End position adjustment

In beiden Endstellungen kann mit den Endlagen-Einstellschrauben der Schwenkwinkel in drucklosem Zustand zwischen +5° und -5° eingestellt werden. Optional kann der Nennschwenkwinkel des geschalteten Antriebs (90°) über die Hubeinstellschrauben im Deckel um +5° bis -45° begrenzt werden.

The pivoting angle can be adjusted in both end positions in pressure free conditions between +5° and -5°. As an option, the pivoting angle of the switched position of the actuator (90°) can be adjusted by the setting screws in the caps of the actuator between +5° and -45°.

Drehmomente doppelwirkender Antrieb (Nm) / Torque-table double-acting actuator (Nm)

Antriebstyp Actuator type	Steuerdruck Pst (bar) / Control pressure Pst (bar)										
	2	2,5	3	3,5	4	4,5	5	5,5	6	7	8
AGD - 025	51,00	63,80	76,50	89,30	102,0	114,8	127,5	140,3	153,0	178,5	204,0

Drehmomente einfachwirkender Antrieb (Nm) / Torque-table single-acting actuator (Nm)

Antriebstyp Actuator type	Federanzahl No. Springs	Md F (Nm)		Pneumatisches Nutzmoment Md (Nm) bei Mindeststeuerdruck Pst (bar) / Pneumatic Applied Torque Md (Nm) at Minimum Control Pressure Pst (bar)																						
		min	max	2		2,5		3		3,5		4		4,5		5		5,5		6		7				
		min	max	min	max	min	max	min	max	min	max	min	max	min	max	min	max	min	max	min	max	min	max			
AGS-025	4	21,10	31,20	20	30	33	43																			
	5	26,38	39,00			25	37	38	50																	
	6	31,65	46,80			17	32	30	45																	
	7	36,93	54,60					22	40					47	65											
	8	42,20	62,40							42	58															
	9	47,48	70,20											32	55											
	10	52,75	78,00													37	62									
	11	58,03	85,80													42	69			54	82					
	12	63,30	93,60													47	77			59	90			85	115	

Technische Daten / Technical Data

Steuerdruck / Control pressure

Steuerdruck: 2-8 bar
Steuerdruckmedium/Qualität: Gefilterte Druckluft mindestens nach DIN/ISO 8573-1 Klasse 4

Control pressure: 2-8 bar
Control medium/ quality: Filtered air minimum acc. to DIN/ISO 8573-1 Class 4

Schaltzeit (sek*) / switch time (sec*)

AGD	AGS	
0,8	0-90°	90-0°
	1,1	1,0

* Die angegebenen Schaltzeiten sind Richtwerte für einen Doppelhub bei 5 bar Steuerdruck und 50% Nennlast. Bei hohen Stellgeschwindigkeiten der Armatur können unzulässig große Bremskräfte in den Endlagen des Antriebes auftreten. Abhilfe: Drosselung der Abluft oder Auswahl eines größeren Antriebs. Einfachwirkende Schwenkantriebe mit 12 Federn.

* Quoted switch times are guidelines for a double-stroke at 5 bar control pressure and at 50% rated loading. With high valve actuating speeds potentially dangerous large braking forces can arise in the actuator end positions. Tip: Throttle the exhaust air or select a larger actuator. Single action actuators with 12 springs.

Werkstoffe / Materials

Gehäuse:	AL-Legierung, eloxiert, außen PP-beschichtet
Deckel:	AL-Legierung, PP-beschichtet
Kolben:	AL-Legierung
Ritzel:	AL-Legierung, hart eloxiert
Namur Welle:	SS316
Dichtungen:	NBR (Perbunan)
Lager:	PTFE 25% Kohle
Schrauben:	Edelstahl 1.4301
Housing:	Al-alloy, anodised, outside PP-coated
Caps:	Al-alloy, PP-coated
Piston:	Al-alloy
Pinion:	Al-alloy, hard-anodised
Namur shaft:	SS316
Seals:	NBR (Perbunan)
Bearing:	PTFE 25% coal
Screws:	Stainless steel 1.4301

Gewicht, Luftverbrauch / Weight, air consumption

Antriebstypen/ Actuator type	AGD	AGS
Gewicht/ Weight (kg)	3,50	4,30
Volumen/ Volume (l)		
Doppelhub/ Double-stroke	1,40	0,65

Umgebungstemperatur / Ambient temperature

Standard	-35°C bis +80°C
Hochtemp. / High-temp (HT)	-15°C bis +140°C
Tieftemp. / Low-temp (TT)	-50°C bis +70°C

Auf Wunsch / Optional extras

- Andere Gehäusebeschichtungen
- Ausführung AGDK, doppelwirkend mit kurzen Deckeln (bei Bedarf mit Endlageneinstellung, siehe Seite 1)
- Ritzel: Edelstahl AISI 304 oder 316
- 135° Antriebe: Schwenkwinkel von 135° bis 90° einstellbar
- 180° Antriebe: Schwenkwinkel von 180° bis 120° einstellbar
- 3 - Positions - Antriebe 0°-90°-180°/0°-45°-90°
- Other housing coatings
- Type AGDK, double acting with short end caps (if required with end position adjustment, see page 1)
- Pinion: stainless steel AISI 304 or 316
- 135° actuator: rotation 135° to 90° adjustable
- 180° actuator: rotation 180° to 120° adjustable
- 3 - positions - actuator 0°-90°-180°/0°-45°-90°



Bestellbezeichnung / Ordering code

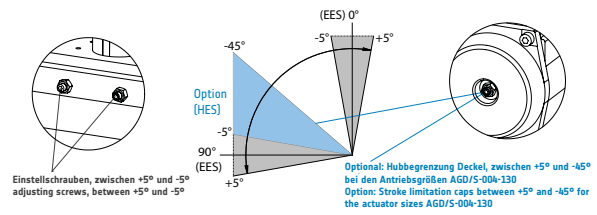
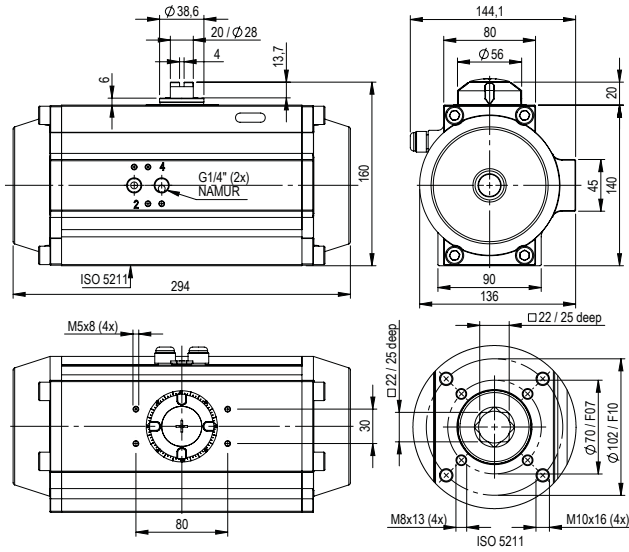
AGD - 025 / 090 - V17 - H (siehe Montagevarianten)
AGS - 025 / 090 - 06* - V17 - H (see assembly variants)
* Federzahl: 4 bis 12 Stück, nach vorhandenem Steuerdruck
* The number of springs (4 up to 12 pcs.) must be matched to the control pressure beforehand.

AGD = doppelwirkend mit Federdeckel / double acting with spring end caps
AGS = einfachwirkend mit Federn / single acting with spring
Option: AGDK = doppelwirkend mit kurzem Deckel / double acting with short end caps

Service-Hotline für Rückfragen und Informationen: +49 (0) 2644 / 40697-0
Weitere Informationen finden sie auch unter www.airpower-gmbh.com

For further information visit our website at www.airpower-gmbh.com or simply give us a call under: +49 (0) 2644 / 40697-0

Datasheet AGD/AGS-045



Endlageneinstellung / End position adjustment

In beiden Endstellungen kann mit den Endlagen-Einstellschrauben der Schwenkwinkel in drucklosem Zustand zwischen +5° und -5° eingestellt werden. Optional kann der Nennschwenkwinkel des geschalteten Antriebs (90°) über die Hubeinstellschrauben im Deckel um +5° bis -45° begrenzt werden.

The pivoting angle can be adjusted in both end positions in pressure free conditions between +5° and -5°. As an option, the pivoting angle of the switched position of the actuator (90°) can be adjusted by the setting screws in the caps of the actuator between +5° and -45°.

Drehmomente doppeltwirkender Antrieb (Nm) / Torque-table double-acting actuator (Nm)

Antriebstyp Actuator type	Steuerdruck Pst (bar) / Control pressure Pst (bar)										
	2	2,5	3	3,5	4	4,5	5	5,5	6	7	8
AGD - 045	90,6	113,2	135,9	158,5	181,2	203,8	226,5	249,1	271,7	317,0	362,3

Drehmomente einfachwirkender Antrieb (Nm) / Torque-table single-acting actuator (Nm)

Antriebstyp Actuator type	Federanzahl No. Springs	Md F (Nm)		Pneumatisches Nutzmoment Md (Nm) bei Mindeststeuerdruck Pst (bar) / Pneumatic Applied Torque Md (Nm) at Minimum Control Pressure Pst [bar]																			
		min	max	2		2,5		3		3,5		4		4,5		5		5,5		6		7	
		min	max	min	max	min	max	min	max	min	max	min	max	min	max	min	max	min	max	min	max	min	max
AGS-045	4	35,00	54,40	36	56	59	78																
	5	43,75	68,00	23	47	45	69	48	92														
	6	52,50	81,60			32	61	54	83	77	106												
	7	61,25	95,20					41	75	63	97	86	120										
	8	70,00	108,80							50	89	72	112	95	134								
	9	78,75	122,40									59	102	81	125	104	148						
	10	87,50	136,00											68	116	90	139	113	162				
	11	96,25	149,60													77	130	99	153	122	175		
	12	105,00	163,20															86	144	109	167	154	212

Technische Daten / Technical Data

Steuerdruck / Control pressure

Steuerdruck: 2-8 bar
 Steuerdruckmedium/Qualität: Gefilterte Druckluft mindestens nach DIN/ISO 8573-1 Klasse 4
 Control pressure: 2-8 bar
 Control medium/ quality: Filtered air minimum acc. to DIN/ISO 8573-1 Class 4

Schaltzeit (sek*) / switch time (sec*)

AGD	AGS	
1,2	0-90°	90-0°
	1,1	1,0

* Die angegebenen Schaltzeiten sind Richtwerte für einen Doppelhub bei 5 bar Steuerdruck und 50% Nennlast. Bei hohen Stellgeschwindigkeiten der Armatur können unzulässig große Bremskräfte in den Endlagen des Antriebs auftreten. Abhilfe: Drosselung der Abluft oder Auswahl eines größeren Antriebs. Einfachwirkende Schwenkantriebe mit 12 Federn.

* Quoted switch times are guidelines for a double-stroke at 5 bar control pressure and at 50% rated loading. With high valve actuating speeds potentially dangerous large braking forces can arise in the actuator end positions. Tip: Throttle the exhaust air or select a larger actuator. Single action actuators with 12 springs.

Werkstoffe / Materials

- Gehäuse: AL-Legierung, eloxiert, außen PP-beschichtet
- Deckel: AL-Legierung, PP-beschichtet
- Kolben: AL-Legierung
- Ritzel: AL-Legierung, hart eloxiert
- Namur Welle: S5316
- Dichtungen: NBR (Perbunan)
- Lager: PTFE 25% Kohle
- Schrauben: Edelstahl 1.4301
- Housing: Al-alloy, anodised, outside PP-coated
- Caps: Al-alloy, PP-coated
- Piston: Al-alloy
- Pinion: Al-alloy, hard-anodised
- Namur shaft: S5316
- Seals: NBR (Perbunan)
- Bearing: PTFE 25% coal
- Screws: Stainless steel 1.4301

Gewicht, Luftverbrauch / Weight, air consumption

Antriebstypen/ Actuator type	AGD	AGS
Gewicht/ Weight (kg)	5,80	6,60
Volumen/ Volume (l) Doppelhub/ Double-stroke	2,00	0,85

Umgebungstemperatur / Ambient temperature

Standard	-35°C bis +80°C
Hochtemp. / High-temp (HT)	-15°C bis +140°C
Tieftemp. / Low-temp (TT)	-50°C bis +70°C

Auf Wunsch / Optional extras

- Andere Gehäusebeschichtungen
- Ausführung AGDK, doppeltwirkend mit kurzen Deckeln (bei Bedarf mit Endlageneinstellung, siehe Seite 1)
- Ritzel: Edelstahl AISI 304 oder 316
- 135° Antriebe: Schwenkwinkel von 135° bis 90° einstellbar
- 180° Antriebe: Schwenkwinkel von 180° bis 120° einstellbar
- 3 - Positionen - Antriebe 0°-90°-180°/0°-45°-90°
- Other housing coatings
- Type AGDK, double acting with short end caps (if required with end position adjustment, see page 1)
- Pinion: stainless steel AISI 304 or 316
- 135° actuator: rotation 135° to 90° adjustable
- 180° actuator: rotation 180° to 120° adjustable
- 3 - positions - actuator 0°-90°-180°/0°-45°-90°



Bestellbezeichnung / Ordering code

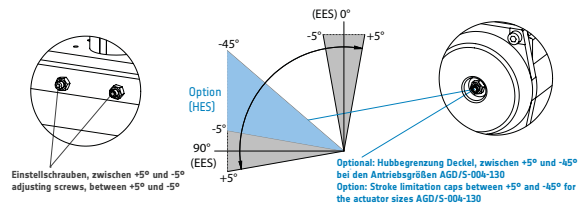
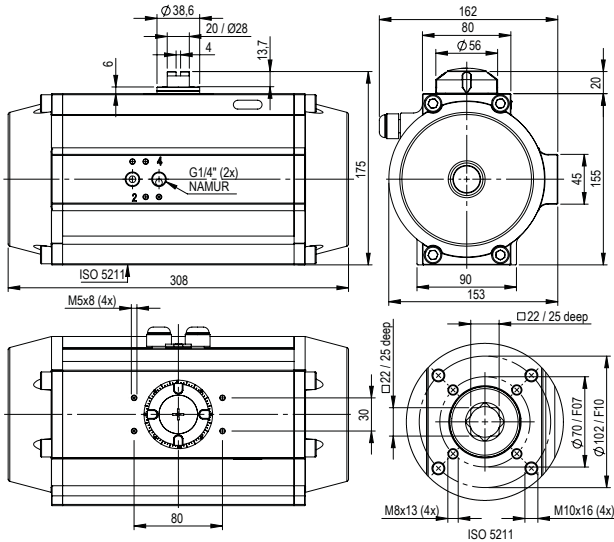
AGD - 045 / 090 - V22 - H (siehe Montagevarianten)
 AGS - 045 / 090 - 06* - V22 - H (see assembly variants)
 * Federzahl: 4 bis 12 Stück, nach vorhandenem Steuerdruck
 * The number of springs (4 up to 12 pcs.) must be matched to the control pressure beforehand.

AGD = doppeltwirkend mit Federdeckel / double acting with spring end caps
 AGS = einfachwirkend mit Federn / single acting with spring
 Option: AGDK = doppeltwirkend mit kurzem Deckel / double acting with short end caps

Service-Hotline für Rückfragen und Informationen: +49 (0) 2644 / 40697-0
 Weitere Informationen finden sie auch unter www.airpower-gmbh.com

For further information visit our website at www.airpower-gmbh.com or simply give us a call under: +49 (0) 2644 / 40697-0

Datasheet AGD/AGS-055



Endlageneinstellung / End position adjustment

In beiden Endstellungen kann mit den Endlagen-Einstellschrauben der Schwenkwinkel in drucklosem Zustand zwischen +5° und -5° eingestellt werden. Optional kann der Nennschwenkwinkel des geschalteten Antriebs (90°) über die Hubeinstellschrauben im Deckel um +5° bis -45° begrenzt werden.

The pivoting angle can be adjusted in both end positions in pressure free conditions between +5° and -5°. As an option, the pivoting angle of the switched position of the actuator (90°) can be adjusted by the setting screws in the caps of the actuator between +5° and -45°.

Drehmomente doppelwirkender Antrieb (Nm) / Torque-table double-acting actuator (Nm)

Antriebstyp Actuator type	Steuerdruck Pst (bar) / Control pressure Pst (bar)										
	2	2,5	3	3,5	4	5	5,5	6	7	8	
AGD - 055	117,8	147,2	176,6	206,1	235,5	265,0	294,4	323,8	353,3	412,2	471,0

Drehmomente einwirkender Antrieb (Nm) / Torque-table single-acting actuator (Nm)

Antriebstyp Actuator type	Federanzahl No. Springs	Md F (Nm)		Pneumatisches Nutzmoment Md (Nm) bei Mindeststeuerdruck Pst (bar) / Pneumatic Applied Torque Md (Nm) at Minimum Control Pressure Pst (bar)																				
		Md F (Nm)		2		2,5		3		3,5		4		4,5		5		5,5		6		7		
		min	max	min	max	min	max	min	max	min	max	min	max	min	max	min	max	min	max	min	max	min	max	
AGS-055	4	47,90	71,70	46	70	76	99																	
	5	59,88	89,63	28	58	58	87	87	117															
	6	71,85	107,55			40	75	69	105	99	134													
	7	83,83	125,48					51	93	81	122	110	152											
	8	95,80	143,40							63	110	92	140	122	169									
	9	107,78	161,33									74	128	104	157	133	187							
	10	119,75	179,25											86	145	115	175	145	204					
	11	131,73	197,18													97	163	127	192	156	222			
	12	143,70	215,10															109	180	138	210	197	268	

Technische Daten / Technical Data

Steuerdruck / Control pressure

Steuerdruck: 2-8 bar
Steuerdruckmedium/Qualität: Gefilterte Druckluft mindestens nach DIN/ISO 8573-1 Klasse 4
Control pressure: 2-8 bar
Control medium/ quality: Filtered air minimum acc. to DIN/ISO 8573-1 Class 4

Schaltzeit (sek*) / switch time (sec*)

AGD	AGS	
1,5	0-90°	90-0°
	1,2	1,1

* Die angegebenen Schaltzeiten sind Richtwerte für einen Doppelhub bei 5 bar Steuerdruck und 50% Nennlast. Bei hohen Stellgeschwindigkeiten der Armatur können unzulässig große Bremskräfte in den Endlagen des Antriebes auftreten. Abhilfe: Drosselung der Abluft oder Auswahl eines größeren Antriebs. Einfachwirkende Schwenkantriebe mit 12 Federn.

* Quoted switch times are guidelines for a double-stroke at 5 bar control pressure and at 50% rated loading. With high valve actuating speeds potentially dangerous large braking forces can arise in the actuator end positions. Tip: Throttle the exhaust air or select a larger actuator. Single action actuators with 12 springs.

Werkstoffe / Materials

Gehäuse: AL-Legierung, eloxiert, außen PP-beschichtet
Deckel: AL-Legierung, PP-beschichtet
Kolben: AL-Legierung
Ritzel: AL-Legierung, hart eloxiert
Namur Welle: SS316
Dichtungen: NBR (Perbunan)
Lager: PTFE 25% Kohle
Schrauben: Edelstahl 1.4301
Housing: Al-alloy, anodised, outside PP-coated
Caps: Al-alloy, PP-coated
Piston: Al-alloy
Pinion: Al-alloy, hard-anodised
Namur shaft: SS316
Seals: NBR (Perbunan)
Bearing: PTFE 25% coal
Screws: Stainless steel 1.4301

Gewicht, Luftverbrauch / Weight, air consumption

Antriebstypen/ Actuator type	AGD	AGS
Gewicht/ Weight (kg)	8,50	9,90
Volumen/ Volume [l] Doppelhub/ Double-stroke	2,90	1,40

Umgebungstemperatur / Ambient temperature

Standard	-35°C bis +80°C
Hochtemp. / High-temp (HT)	-15°C bis +140°C
Tieftemp. / Low-temp (TT)	-50°C bis +70°C

Auf Wunsch / Optional extras

- Andere Gehäusebeschichtungen
- Ausführung AGDK, doppelwirkend mit kurzen Deckeln (bei Bedarf mit Endlageneinstellung, siehe Seite 1)
- Ritzel: Edelstahl AISI 304 oder 316
- 135° Antriebe: Schwenkwinkel von 135° bis 90° einstellbar
- 180° Antriebe: Schwenkwinkel von 180° bis 120° einstellbar
- 3 - Positions - Antriebe 0°-90°-180°/0°-45°-90°
- Other housing coatings
- Type AGDK, double acting with short end caps (if required with end position adjustment, see page 1)
- Pinion: stainless steel AISI 304 or 316
- 135° actuator: rotation 135° to 90° adjustable
- 180° actuator: rotation 180° to 120° adjustable
- 3 - positions - actuator 0°-90°-180°/0°-45°-90°



Bestellbezeichnung / Ordering code

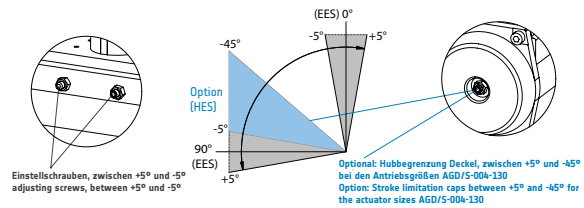
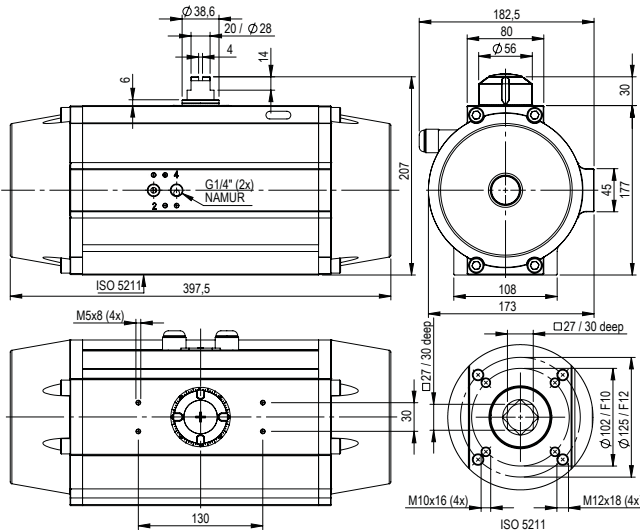
AGD - 055 / 090 - V22 - H (siehe Montagevarianten)
AGS - 055 / 090 - 06* - V22 - H (siehe assembly variants)
* Federzahl: 4 bis 12 Stück, nach vorhandenem Steuerdruck
* The number of springs (4 up to 12 pcs.) must be matched to the control pressure beforehand.

AGD = doppelwirkend mit Federdeckel / double acting with spring end caps
AGS = einwirkend mit Federn / single acting with spring
Option: AGDK = doppelwirkend mit kurzem Deckel / double acting with short end caps

Service-Hotline für Rückfragen und Informationen: +49 (0) 2644 / 40697-0
Weitere Informationen finden sie auch unter www.airpower-gmbh.com

For further information visit our website at www.airpower-gmbh.com or simply give us a call under: +49 (0) 2644 / 40697-0

Datasheet AGD/AGS-090



Endlageneinstellung / End position adjustment

In beiden Endstellungen kann mit den Endlagen-Einstellschrauben der Schwenkwinkel in drucklosem Zustand zwischen +5° und -5° eingestellt werden. Optional kann der Nennschwenkwinkel des geschalteten Antriebs (90°) über die Hubeinstellschrauben im Deckel um +5° bis -45° begrenzt werden.

The pivoting angle can be adjusted in both end positions in pressure free conditions between +5° and -5°. As an option, the pivoting angle of the switched position of the actuator (90°) can be adjusted by the setting screws in the caps of the actuator between +5° and -45°.

Drehmomente doppeltwirkender Antrieb (Nm) / Torque-table double-acting actuator (Nm)

Antriebstyp Actuator type	Steuerdruck Pst (bar) / Control pressure Pst (bar)										
	2	2,5	3	3,5	4	4,5	5	5,5	6	7	8
AGD - 090	184,9	231,1	277,3	323,5	369,7	415,9	462,2	508,4	554,6	647,0	739,4

Drehmomente einfachwirkender Antrieb (Nm) / Torque-table single-acting actuator (Nm)

Antriebstyp Actuator type	Federanzahl No. Springs	Md F (Nm)		Pneumatisches Nutzmoment Md (Nm) bei Mindeststeuerdruck Pst (bar) / Pneumatic Applied Torque Md (Nm) at Minimum Control Pressure Pst (bar)																				
		min	max	2		2,5		3		3,5		4		4,5		5		5,5		6		7		
		min	max	min	max	min	max	min	max	min	max	min	max	min	max	min	max	min	max	min	max	min	max	
AGS-090	4	72,50	109,00	76	112	122	159																	
	5	90,63	136,25	49	94	95	140	141	187															
	6	108,75	163,50			68	122	114	169															
	7	126,88	190,75					87	150	133	197	179	243											
	8	145,00	218,00							106	179	152	225	198	271									
	9	163,13	245,25									124	207	171	253	217	299							
	10	181,25	272,50											143	235	190	281	236	327					
	11	199,38	299,75													162	263	209	309	255	355			
	12	217,50	327,00															181	291	228	337	320	430	

Technische Daten / Technical Data

Steuerdruck / Control pressure

Steuerdruck: 2-8 bar
Steuerdruckmedium/Qualität: Gefilterte Druckluft mindestens nach DIN/ISO 8573-1 Klasse 4
Control pressure: 2-8 bar
Control medium/ quality: Filtered air minimum acc. to DIN/ISO 8573-1 Class 4

Schaltzeit (sek*) / switch time (sec*)

AGD	AGS	
1,8	0-90°	90-0°
	1,4	1,3

* Die angegebenen Schaltzeiten sind Richtwerte für einen Doppelhub bei 5 bar Steuerdruck und 50% Nennlast. Bei hohen Stellgeschwindigkeiten der Armatur können unzulässig große Bremskräfte in den Endlagen des Antriebes auftreten. Abhilfe: Drosselung der Abluft oder Auswahl eines größeren Antriebs. Einfachwirkende Schwenkantriebe mit 12 Federn.

* Quoted switch times are guidelines for a double-stroke at 5 bar control pressure and at 50% rated loading. With high valve actuating speeds potentially dangerous large braking forces can arise in the actuator end positions. Tip: Throttle the exhaust air or select a larger actuator. Single action actuators with 12 springs.

Werkstoffe / Materials

Gehäuse: AL-Legierung, eloxiert, außen PP-beschichtet
Deckel: AL-Legierung, PP-beschichtet
Kolben: AL-Legierung
Ritzel: AL-Legierung, hart eloxiert
Nanur Welle: SS316
Dichtungen: NBR (Perbunan)
Lager: PTFE 25% Kohle
Schrauben: Edelstahl 1.4301
Housing: Al-alloy, anodised, outside PP-coated
Caps: Al-alloy, PP-coated
Piston: Al-alloy
Pinion: Al-alloy, hard-anodised
Nanur shaft: SS316
Seals: NBR (Perbunan)
Bearing: PTFE 25% coal
Screws: Stainless steel 1.4301

Gewicht, Luftverbrauch / Weight, air consumption

Antriebstypen/ Actuator type	AGD	AGS
Gewicht/ Weight (kg)	10,40	12,90
Volumen/ Volume (l)	5,20	2,60
Doppelhub/ Double-stroke		

Umgebungstemperatur / Ambient temperature

Standard	-35°C bis +80°C
Hochtemp. / High-temp (HT)	-15°C bis +140°C
Tieftemp. / Low-temp (TT)	-50°C bis +70°C

Auf Wunsch / Optional extras

- Andere Gehäusebeschichtungen
- Ausführung AGDK, doppeltwirkend mit kurzen Deckeln (bei Bedarf mit Endlageneinstellung, siehe Seite 1)
- Ritzel: Edelstahl AISI 304 oder 316
- 135° Antriebe: Schwenkwinkel von 135° bis 90° einstellbar
- 180° Antriebe: Schwenkwinkel von 180° bis 120° einstellbar
- 3 - Positions - Antriebe 0°-90°-180°/0°-45°-90°
- Other housing coatings
- Type AGDK, double acting with short end caps (if required with end position adjustment, see page 1)
- Pinion: stainless steel AISI 304 or 316
- 135° actuator: rotation 135° to 90° adjustable
- 180° actuator: rotation 180° to 120° adjustable
- 3 - positions - actuator 0°-90°-180°/0°-45°-90°

Bestellbezeichnung / Ordering code

AGD - 090 / 090 - V27 - H (siehe Montagevarianten)
AGS - 090 / 090 - 06* - V27 - H (see assembly variants)
* Federzahl: 4 bis 12 Stück, nach vorhandenem Steuerdruck
* The number of springs (4 up to 12 pcs.) must be matched to the control pressure beforehand.

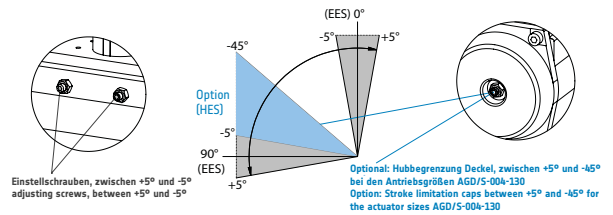
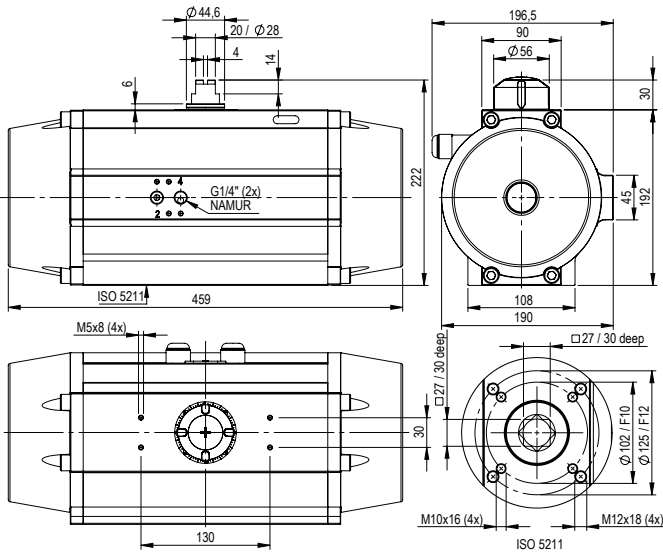
AGD = doppeltwirkend mit Federdeckel / double acting with spring end caps
AGS = einfachwirkend mit Federn / single acting with spring
Option: AGDK = doppeltwirkend mit kurzem Deckel / double acting with short end caps

Service-Hotline für Rückfragen und Informationen: +49 (0) 2644 / 40697-0
Weitere Informationen finden sie auch unter www.airpower-gmbh.com

For further information visit our website at www.airpower-gmbh.com or simply give us a call under: +49 (0) 2644 / 40697-0



Datasheet AGD/AGS-130



Endlageneinstellung / End position adjustment

In beiden Endstellungen kann mit den Endlagen-Einstellschrauben der Schwenkwinkel in drucklosem Zustand zwischen +5° und -5° eingestellt werden. Optional kann der Nennschwenkwinkel des geschalteten Antriebs (90°) über die Hubeinstellschrauben im Deckel um +5° bis -45° begrenzt werden.

The pivoting angle can be adjusted in both end positions in pressure free conditions between +5° and -5°. As an option, the pivoting angle of the switched position of the actuator (90°) can be adjusted by the setting screws in the caps of the actuator between +5° and -45°.

Drehmomente doppelwirkender Antrieb (Nm) / Torque-table double-acting actuator (Nm)

Antriebstyp Actuator type	Steuerdruck Pst (bar) / Control pressure Pst (bar)										
	2	2,5	3	3,5	4	4,5	5	5,5	6	7	8
AGD - 130	281,3	351,7	422,0	492,3	562,7	633,0	703,4	773,7	844,0	984,7	1125,4

Drehmomente einfachwirkender Antrieb (Nm) / Torque-table single-acting actuator (Nm)

Antriebstyp Actuator type	Federanzahl No. Springs	Md F (Nm)		Pneumatisches Nutzmoment Md (Nm) bei Mindeststeuerdruck Pst (bar) / Pneumatic Applied Torque Md (Nm) at Minimum Control Pressure Pst (bar)																				
		min	max	2		2,5		3		3,5		4		4,5		5		5,5		6		7		
				min	max	min	max	min	max	min	max	min	max	min	max	min	max	min	max	min	max	min	max	
AGS-130	4	117,70	175,50	106	164	176	234																	
	5	147,13	219,38			132	205	203	275															
	6	176,55	263,50			88	175	159	245	229	316													
	7	205,98	307,13					115	216	185	286	256	357											
	8	235,40	351,00							141	257	212	327	282	398									
	9	264,83	394,88									168	298	238	368	308	439							
	10	294,25	438,75											194	339	265	409	335	479					
	11	323,68	482,63													221	380	291	450	361	520			
	12	353,10	526,50															247	421	318	491	458	632	

Technische Daten / Technical Data

Steuerdruck / Control pressure

Steuerdruck: 2-8 bar
Steuerdruckmedium/Qualität: Gefilterte Druckluft mindestens nach DIN/ISO 8573-1 Klasse 4

Control pressure: 2-8 bar
Control medium/ quality: Filtered air minimum acc. to DIN/ISO 8573-1 Class 4

Schaltzeit (sek*) / switch time (sec*)

AGD	AGS	
2,0	0-90°	90-0°
	1,5	1,4

* Die angegebenen Schaltzeiten sind Richtwerte für einen Doppelhub bei 5 bar Steuerdruck und 50% Nennlast. Bei hohen Stellgeschwindigkeiten der Armatur können unzulässig große Bremskräfte in den Endlagen des Antriebes auftreten. Abhilfe: Drosselung der Abluft oder Auswahl eines größeren Antriebs. Einfachwirkende Schwenkantriebe mit 12 Federn.

* Quoted switch times are guidelines for a double-stroke at 5 bar control pressure and at 50% rated loading. With high valve actuating speeds potentially dangerous large braking forces can arise in the actuator end positions. Tip: Throttle the exhaust air or select a larger actuator. Single action actuators with 12 springs.

Werkstoffe / Materials

Gehäuse:	AL-Legierung, eloxiert, außen PP-beschichtet
Deckel:	AL-Legierung, PP-beschichtet
Kolben:	AL-Legierung
Ritzel:	AL-Legierung, hart eloxiert
Namur Welle:	SS316
Dichtungen:	NBR (Perbunan)
Lager:	PTFE 25% Kohle
Schrauben:	Edelstahl 1.4301
Housing:	Al-alloy, anodised, outside PP-coated
Caps:	Al-alloy, PP-coated
Piston:	Al-alloy
Pinion:	Al-alloy, hard-anodised
Namur shaft:	SS316
Seals:	NBR (Perbunan)
Bearing:	PTFE 25% coal
Screws:	Stainless steel 1.4301

Gewicht, Luftverbrauch / Weight, air consumption

Antriebstypen/ Actuator type	AGD	AGS
Gewicht/ Weight (kg)	15,00	19,10
Volumen/ Volume (l)		
Doppelhub/ Double-stroke	7,90	3,90

Umgebungstemperatur / Ambient temperature

Standard	-35°C bis +80°C
Hochtemp. / High-temp (HT)	-15°C bis +140°C
Tieftemp. / Low-temp (TT)	-50°C bis +70°C

Auf Wunsch / Optional extras

- Andere Gehäusebeschichtungen
- Ausführung AGDK, doppelwirkend mit kurzen Deckeln (bei Bedarf mit Endlageneinstellung, siehe Seite 1)
- Ritzel: Edelstahl AISI 304 oder 316
- 135° Antriebe: Schwenkwinkel von 135° bis 90° einstellbar
- 180° Antriebe: Schwenkwinkel von 180° bis 120° einstellbar
- 3 - Positionen - Antriebe 0°-90°-180°/0°-45°-90°
- Other housing coatings
- Type AGDK, double acting with short end caps (if required with end position adjustment, see page 1)
- Pinion: stainless steel AISI 304 or 316
- 135° actuator: rotation 135° to 90° adjustable
- 180° actuator: rotation 180° to 120° adjustable
- 3 - positions - actuator 0°-90°-180°/0°-45°-90°



Bestellbezeichnung / Ordering code

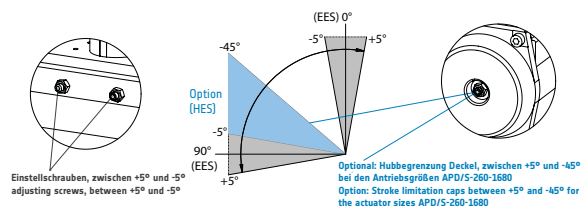
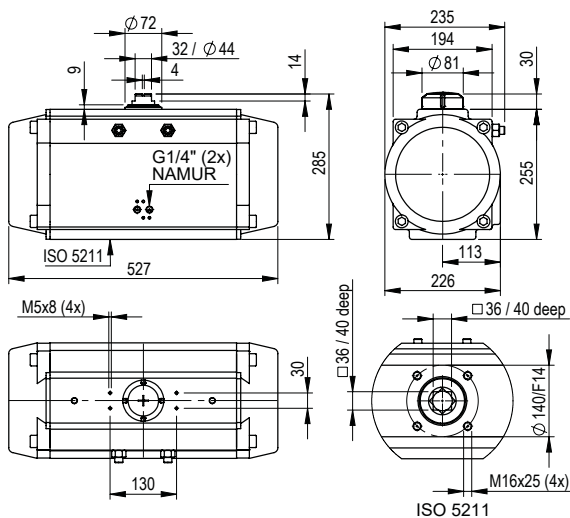
AGD - 130 / 090 - V27 - H (siehe Montagevarianten)
AGS - 130 / 090 - 06* - V27 - H (see assembly variants)
* Federzahl: 4 bis 12 Stück, nach vorhandenem Steuerdruck
* The number of springs (4 up to 12 pcs.) must be matched to the control pressure beforehand.

AGD = doppelwirkend mit Federdeckel / double acting with spring end caps
AGS = einfachwirkend mit Federn / single acting with spring
Option: AGDK = doppelwirkend mit kurzem Deckel / double acting with short end caps

Service-Hotline für Rückfragen und Informationen: +49 (0) 2644 / 40697-0
Weitere Informationen finden sie auch unter www.airpower-gmbh.com

For further information visit our website at www.airpower-gmbh.com or simply give us a call under: +49 (0) 2644 / 40697-0

Datasheet APD/APS-260



Endlageneinstellung / End position adjustment

In beiden Endstellungen kann mit den Endlagen-Einstellschrauben der Schwenkwinkel in drucklosem Zustand zwischen +5° und -5° eingestellt werden. Optional kann der Nennschwenkwinkel des geschalteten Antriebs (90°) über die Hubeinstellschrauben im Deckel um +5° bis -45° begrenzt werden.

The pivoting angle can be adjusted in both end positions in pressure free conditions between +5° and -5°. As an option, the pivoting angle of the switched position of the actuator (90°) can be adjusted by the setting screws in the caps of the actuator between +5° and -45°.

Drehmomente doppelwirkender Antrieb (Nm) / Torque-table double-acting actuator (Nm)

Antriebstyp Actuator type	Steuerdruck Pst (bar) / Control pressure Pst (bar)										
	2	2,5	3	3,5	4	4,5	5	5,5	6	7	8
APD - 260	526	658	789	921	1052	1184	1315	1447	1578	1841	2104

Drehmomente einwirkender Antrieb (Nm) / Torque-table single-acting actuator (Nm)

Antriebstyp Actuator type	Federanzahl No. Springs	Md F [Nm]		Pneumatisches Nutzdrehmoment Md [Nm] bei Mindeststeuerdruck Pst [bar]/ Pneumatic applied Torque Md [Nm] at Minimum Control Pressure Pst [bar]															
				3		3,5		4		4,5		5		5,5		6		7	
		min	max	min	max	min	max	min	max	min	max	min	max	min	max	min	max	min	max
APS-260	4	208,0	288,0																
	5	260,0	360,0	429,0	529,0														
	6	313,0	432,0	357,0	476,0	488,5	607,5												
	7	365,0	503,0	286,0	424,0	417,5	555,5	549,0	687,0										
	8	417,0	575,0			345,5	503,5	477,0	635,0	608,5	766,5								
	9	469,0	647,0					405,0	583,0	536,5	714,5	668,0	846,0						
	10	521,0	719,0							464,5	662,5	596,0	794,0	727,5	925,5				
	11	573,0	791,0									524,0	742,0	655,5	873,5	787,0	1005		
	12	625,0	863,0									583,5	821,5	715,0	953,0	978,0	1216		

Technische Daten / Technical Data

Steuerdruck / Control pressure

Steuerdruck: 2-8 bar
Steuerdruckmedium/Qualität: Gefilterte Druckluft mindestens nach DIN/ISO 8573-1 Klasse 4

Control pressure: 2-8 bar
Control medium/ quality: Filtered air minimum acc. to DIN/ISO 8573-1 Class 4

Schaltzeit (sek*) / switch time [sec*]

APD	APS	
2,8	0-90°	90-0°
	2,6	2,3

* Die angegebenen Schaltzeiten sind Richtwerte für einen Doppelhub bei 6 bar Steuerdruck und ohne Last. Bei hohen Stellgeschwindigkeiten der Armatur können unzulässig große Bremskräfte in den Endlagen des Antriebes auftreten. Abhilfe: Drosselung der Abluft oder Auswahl eines größeren Antriebs. Einfachwirkende Schwenkantriebe mit 12 Federn.

* Quoted switch times are guidelines for a double-stroke at 6 bar control pressure and without load. With high valve actuating speeds potentially dangerous large braking forces can arise in the actuator end positions. Tip: Throttle the exhaust air or select a larger actuator. Single action actuators with 12 springs.

Werkstoffe / Materials

Gehäuse:	AL-Legierung, eloxiert, außen PP-beschichtet
Deckel:	AL-Legierung, PP-beschichtet
Kolben:	AL-Legierung
Ritzel:	Stahl, korrosionsgeschützt
Namur Welle:	SS316
Dichtungen:	NBR (Perbunan)
Lager:	Kunststoff, POM (Delrin)
Schrauben:	Edelstahl 1.4301
Housing:	Al-alloy, anodised, outside PP-coated
Caps:	Al-alloy, PP-coated
Piston:	Al-alloy
Pinion:	Steel, corrosion-protected
Namur shaft:	SS316
Seals:	NBR (Perbunan)
Bearing:	Plastic, POM
Screws:	Stainless steel 1.4301

Gewicht, Luftverbrauch / Weight, air consumption

Antriebstypen/ Actuator type	APD	APS
Gewicht/ Weight (kg)	40,00	49,60
Volumen/ Volume (l) Doppelhub/ Double-stroke	17,60	7,40

Umgebungstemperatur / Ambient temperature

Standard	-35°C bis +80°C
Hochtemp. / High-temp (HT)	-15°C bis +140°C
Tieftemp. / Low-temp (TT)	-50°C bis +70°C

Auf Wunsch / Optional extras

- Andere Gehäusebeschichtungen
- Ritzel: Edelstahl AISI 304 oder 316
- 135° Antriebe: Schwenkwinkel von 135° bis 90° einstellbar
- 180° Antriebe: Schwenkwinkel von 180° bis 120° einstellbar
- 3 - Positions - Antriebe 0°-90°-180°/0°-45°-90°
- Other housing coatings
- Pinion: stainless steel AISI 304 or 316
- 135° actuator: rotation 135° to 90° adjustable
- 180° actuator: rotation 180° to 120° adjustable
- 3 - positions - actuator 0°-90°-180°/0°-45°-90°

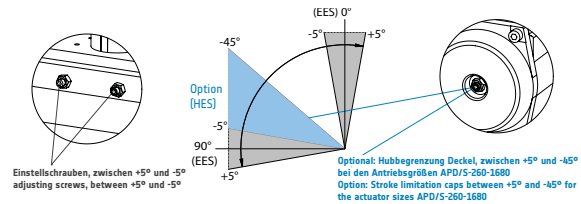
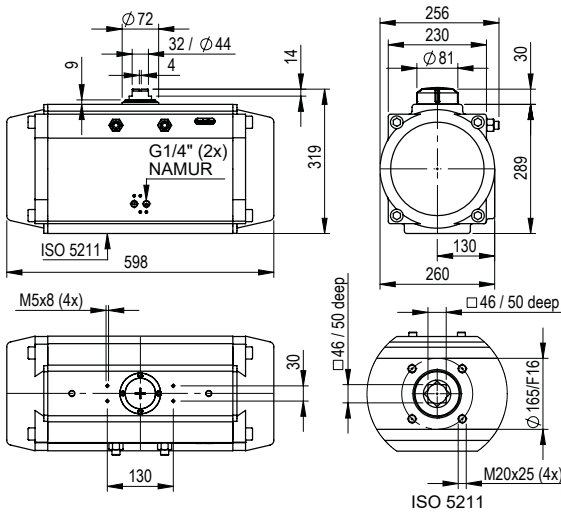
Bestellbezeichnung / Ordering code

APD - 260 / 090 - V36 - H (siehe Montagevarianten)
APS - 260 / 090 - 06* - V36 - H (see assembly variants)
* Federzahl: 4 bis 12 Stück, nach vorhandenem Steuerdruck
* The number of springs (4 up to 12 pcs.) must be matched to the control pressure beforehand.

Service-Hotline für Rückfragen und Informationen: +49 (0) 2644 / 40697-0
Weitere Informationen finden sie auch unter www.airpower-gmbh.com

For further information visit our website at www.airpower-gmbh.com or simply give us a call under: +49 (0) 2644 / 40697-0

Datasheet APD/APS-390



Endlageneinstellung / End position adjustment

In beiden Endstellungen kann mit den Endlagen-Einstellschrauben der Schwenkwinkel in drucklosem Zustand zwischen +5° und -5° eingestellt werden. Optional kann der Nennschwenkwinkel des geschalteten Antriebs (90°) über die Hubeinstellschrauben im Deckel um +5° bis -45° begrenzt werden.

The pivoting angle can be adjusted in both end positions in pressure free conditions between +5° and -5°. As an option, the pivoting angle of the switched position of the actuator (90°) can be adjusted by the setting screws in the caps of the actuator between +5° and -45°.

Drehmomente doppelwirkender Antrieb (Nm) / Torque-table double-acting actuator (Nm)

Antriebstyp Actuator type	Steuerdruck Pst (bar) / Control pressure Pst (bar)										
	2	2,5	3	3,5	4	4,5	5	5,5	6	7	8
APD - 390	773	966	1160	1353	1546	1739	1933	2126	2319	2706	3092

Drehmomente einfachwirkender Antrieb (Nm) / Torque-table single-acting actuator (Nm)

Antriebstyp Actuator type	Federanzahl No. Springs	Md F [Nm]		Pneumatisches Nutzdrehmoment Md [Nm] bei Mindeststeuerdruck Pst [bar] / Pneumatic applied Torque Md [Nm] at Minimum Control Pressure Pst (bar)															
		min	max	3		3,5		4		4,5		5		5,5		6		7	
				min	max	min	max	min	max	min	max	min	max	min	max	min	max	min	max
APS-390	4	311	420																
	5	389	525	633	769														
	6	467	630	528	691	721	884												
	7	544	735	423	614	616	807	809	1000										
	8	622	840			511	729	704	922	897	1115								
	9	700	945					599	844	792	1037								
	10	778	1050						687	959		985	1230						
	11	855	1155									880	1152	1073	1345				
	12	933	1260									775	1075	968	1268	1161	1461		
													863	1190	1056	1383	1442	1769	

Technische Daten / Technical Data

Steuerdruck / Control pressure

Steuerdruck: 2-8 bar
 Steuerdruckmedium/Qualität: Gefilterte Druckluft mindestens nach DIN/ISO 8573-1 Klasse 4
 Control pressure: 2-8 bar
 Control medium/ quality: Filtered air minimum acc. to DIN/ISO 8573-1 Class 4

Schaltzeit (sek*) / switch time (sec*)

APD		APS	
0-90°	90-0°	0-90°	90-0°
4,1	4,1	3,7	3,2

* Die angegebenen Schaltzeiten sind Richtwerte für einen Doppelhub bei 6 bar Steuerdruck und ohne Last. Bei hohen Stellgeschwindigkeiten der Armatur können unzulässig große Bremskräfte in den Endlagen des Antriebes auftreten. Abhilfe: Drosselung der Abluft oder Auswahl eines größeren Antriebs. Einfachwirkende Schwenkantriebe mit 12 Federn.

* Quoted switch times are guidelines for a double-stroke at 6 bar control pressure and without load. With high valve actuating speeds potentially dangerous large braking forces can arise in the actuator end positions. Tip: Throttle the exhaust air or select a larger actuator. Single action actuators with 12 springs.

Werkstoffe / Materials

Gehäuse: AL-Legierung, eloxiert, außen PP-beschichtet
 Deckel: AL-Legierung, PP-beschichtet
 Kolben: AL-Legierung
 Ritzel: Stahl, korrosionsschutz
 Namur Welle: SS316
 Dichtungen: NBR (Perbunan)
 Lager: Kunststoff, POM (Delrin)
 Schrauben: Edelstahl 1.4301
 Housing: Al-alloy, anodised, outside PP-coated
 Caps: Al-alloy, PP-coated
 Piston: Al-alloy
 Pinion: Steel, corrosion-protected
 Namur shaft: SS316
 Seals: NBR (Perbunan)
 Bearing: Plastic, POM
 Screws: Stainless steel 1.4301

Gewicht, Luftverbrauch / Weight, air consumption

Antriebstypen/ Actuator type	APD	APS
Gewicht/ Weight (kg)	55,50	69,30
Volumen/ Volume (l) Doppelhub/ Double-stroke	25,50	14,00

Umgebungstemperatur / Ambient temperature

Standard	-35°C bis +80°C
Hochtemp. / High-temp (HT)	-15°C bis +140°C
Tieftemp. / Low-temp (TT)	-50°C bis +70°C

Auf Wunsch / Optional extras

- Andere Gehäusebeschichtungen
- Ritzel: Edelstahl AISI 304 oder 316
- 135° Antriebe: Schwenkwinkel von 135° bis 90° einstellbar
- 180° Antriebe: Schwenkwinkel von 180° bis 120° einstellbar
- 3 - Positions - Antriebe 0°-90°-180°/0°-45°-90°
- Other housing coatings
- Pinion: stainless steel AISI 304 or 316
- 135° actuator: rotation 135° to 90° adjustable
- 180° actuator: rotation 180° to 120° adjustable
- 3 - positions - actuator 0°-90°-180°/0°-45°-90°

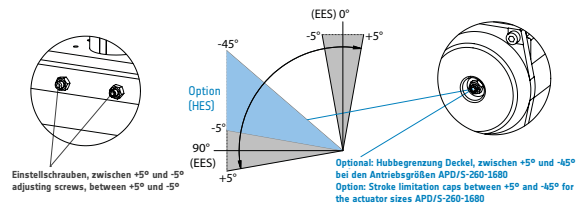
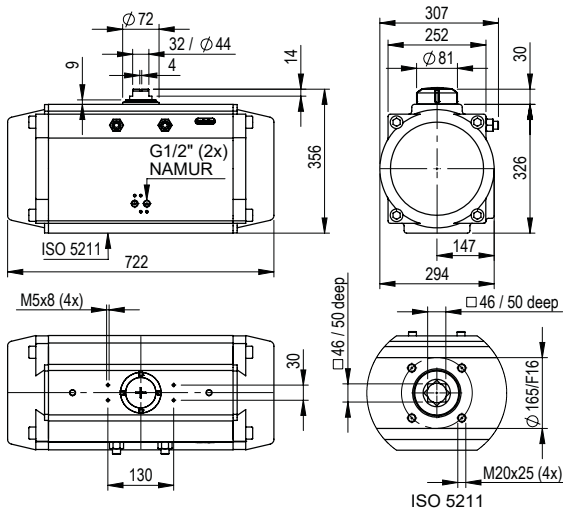
Bestellbezeichnung / Ordering code

APD - 390 / 090 - V46 - H (siehe Montagevarianten)
 APS - 390 / 090 - 06* - V46 - H (see assembly variants)
 * Federzahl: 4 bis 12 Stück, nach vorhandenem Steuerdruck
 * The number of springs [4 up to 12 pcs.] must be matched to the control pressure beforehand.

Service-Hotline für Rückfragen und Informationen: +49 (0) 2644 / 40697-0
 Weitere Informationen finden sie auch unter www.airpower-gmbh.com

For further information visit our website at www.airpower-gmbh.com
 or simply give us a call under: +49 (0) 2644 / 40697-0

Datasheet APD/APS-600



Endlageneinstellung / End position adjustment

In beiden Endstellungen kann mit den Endlagen-Einstellschrauben der Schwenkwinkel in drucklosem Zustand zwischen +5° und -5° eingestellt werden. Optional kann der Nennschwenkwinkel des geschalteten Antriebs (90°) über die Hubeinstellschrauben im Deckel um +5° bis -45° begrenzt werden.

The pivoting angle can be adjusted in both end positions in pressure free conditions between +5° and -5°. As an option, the pivoting angle of the switched position of the actuator (90°) can be adjusted by the setting screws in the caps of the actuator between +5° and -45°.

Drehmomente doppelwirkender Antrieb (Nm) / Torque-table double-acting actuator (Nm)

Antriebstyp Actuator type	Steuerdruck Pst (bar) / Control pressure Pst (bar)										
	2	2,5	3	3,5	4	4,5	5	5,5	6	7	8
APD - 600	1174	1468	1761	2054	2349	2642	2936	3229	3523	4110	4697

Drehmomente einwirkender Antrieb (Nm) / Torque-table single-acting actuator (Nm)

Antriebstyp Actuator type	Federanzahl No. Springs	Md F [Nm]		Pneumatisches Nutzdrehmoment Md [Nm] bei Mindeststeuerdruck Pst [bar] / Pneumatic applied Torque Md (Nm) at Minimum Control Pressure Pst (bar)														
		min	max	3		3,5		4		4,5		5,5		6		7		
				min	max	min	max	min	max	min	max	min	max	min	max	min	max	
APS-600	4	424	596															
	5	530	745	1016	1231													
	6	636	894	867	1125	1161	1419											
	7	742	1043	718	1019	1012	1313	1305	1606									
	8	848	1192			863	1207	1156	1500	1450	1794							
	9	954	1341					1007	1394	1301	1688	1594	1981					
	10	1060	1490							1152	1582	1445	1875	1739	2169			
	11	1166	1639									1296	1769	1590	2063	1883	2356	
12	1272	1788											1441	1957	1734	2250	2321	2837

Technische Daten / Technical Data

Steuerdruck / Control pressure

Steuerdruck: 2-8 bar
Steuerdruckmedium/Qualität: Gefilterte Druckluft mindestens nach DIN/ISO 8573-1 Klasse 4

Control pressure: 2-8 bar
Control medium/ quality: Filtered air minimum acc. to DIN/ISO 8573-1 Class 4

Schaltzeit (sek*) / switch time (sec*)

APD		APS	
0-90°	90-0°	0-90°	90-0°
2,9	2,9	3,4	2,2

* Die angegebenen Schaltzeiten sind Richtwerte für einen Doppelhub bei 6 bar Steuerdruck und ohne Last. Bei hohen Stellgeschwindigkeiten der Armatur können unzulässig große Bremskräfte in den Endlagen des Antriebes auftreten. Abhilfe: Drosselung der Abluft oder Auswahl eines größeren Antriebs. Einfachwirkende Schwenkantriebe mit 12 Federn.

* Quoted switch times are guidelines for a double-stroke at 6 bar control pressure and without load. With high valve actuating speeds potentially dangerous large braking forces can arise in the actuator end positions. Tip: Throttle the exhaust air or select a larger actuator. Single action actuators with 12 springs.

Werkstoffe / Materials

Gehäuse:	AL-Legierung, eloxiert, außen PP-beschichtet
Deckel:	AL-Legierung, PP-beschichtet
Kolben:	AL-Legierung
Ritzel:	Stahl, korrosionsgeschützt
Namur Welle:	SS316
Dichtungen:	NBR (Perbunan)
Lager:	Kunststoff, POM (Delrin)
Schrauben:	Edelstahl 1.4301
Housing:	Al-alloy, anodised, outside PP-coated
Caps:	Al-alloy, PP-coated
Piston:	Al-alloy
Pinion:	Steel, corrosion-protected
Namur shaft:	SS316
Seals:	NBR (Perbunan)
Bearing:	Plastic, POM
Screws:	Stainless steel 1.4301

Gewicht, Luftverbrauch / Weight, air consumption

Antriebstypen/ Actuator type	APD	APS
Gewicht/ Weight (kg)	83,80	106,60
Volumen/ Volume [l] Doppelhub/ Double-stroke	38,70	21,00

Umgebungstemperatur / Ambient temperature

Standard	-35°C bis +80°C
Hochtemp. / High-temp (HT)	-15°C bis +140°C
Tieftemp. / Low-temp (TT)	-50°C bis +70°C

Auf Wunsch / Optional extras

- Andere Gehäusebeschichtungen
- Ritzel: Edelstahl AISI 304 oder 316
- 135° Antriebe: Schwenkwinkel von 135° bis 90° einstellbar
- 180° Antriebe: Schwenkwinkel von 180° bis 120° einstellbar
- 3 - Positions - Antriebe 0°-90°-180°/0°-45°-90°
- Other housing coatings
- Pinion: stainless steel AISI 304 or 316
- 135° actuator: rotation 135° to 90° adjustable
- 180° actuator: rotation 180° to 120° adjustable
- 3 - positions - actuator 0°-90°-180°/0°-45°-90°

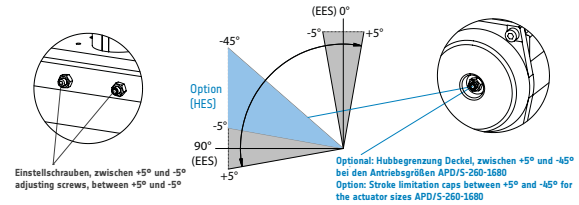
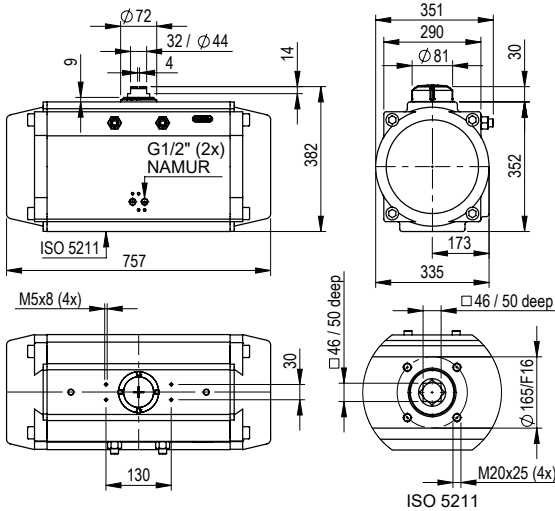
Bestellbezeichnung / Ordering code

APD - 600 / 090 - V46 - H (siehe Montagevarianten)
APS - 600 / 090 - 06* - V46 - H (see assembly variants)
* Federzahl: 4 bis 12 Stück, nach vorhandenem Steuerdruck
* The number of springs (4 up to 12 pcs.) must be matched to the control pressure beforehand.

Service-Hotline für Rückfragen und Informationen: +49 (0) 2644 / 40697-0
Weitere Informationen finden sie auch unter www.airpower-gmbh.com

For further information visit our website at www.airpower-gmbh.com or simply give us a call under: +49 (0) 2644 / 40697-0

Datasheet APD/APS-760



Endlageneinstellung / End position adjustment

In beiden Endstellungen kann mit den Endlagen-Einstellschrauben der Schwenkwinkel in drucklosem Zustand zwischen +5° und -5° eingestellt werden. Optional kann der Nennschwenkwinkel des geschalteten Antriebs (90°) über die Hubeinstellschrauben im Deckel um +5° bis -45° begrenzt werden.

The pivoting angle can be adjusted in both end positions in pressure free conditions between +5° and -5°. As an option, the pivoting angle of the switched position of the actuator (90°) can be adjusted by the setting screws in the caps of the actuator between +5° and -45°.

Drehmomente doppelwirkender Antrieb (Nm) / Torque-table double-acting actuator (Nm)

Antriebstyp Actuator type	Steuerdruck Pst [bar] / Control pressure Pst [bar]										
	2	2,5	3	3,5	4	4,5	5	5,5	6	7	8
APD - 760	1526	1908	2289	2670	3052	3434	3815	4197	4578	5341	6104

Drehmomente einwirkender Antrieb (Nm) / Torque-table single-acting actuator (Nm)

Antriebstyp Actuator type	Federanzahl No. Springs	Md F [Nm]		Pneumatisches Nutzdrehmoment Md [Nm] bei Mindeststeuerdruck Pst [bar] / Pneumatic applied Torque Md [Nm] at Minimum Control Pressure Pst [bar]															
		min	max	3		3,5		4		4,5		5		5,5		6		7	
				min	max	min	max	min	max	min	max	min	max	min	max	min	max	min	max
APS-760	4	584	849																
	5	730	1061	1228	1559														
	6	876	1273	1016	1413	1397	1794												
	7	1022	1485			1185	1648	1567	2030										
	8	1168	1697					1355	1884	1736	2265								
	9	1314	1909							1524	2119	1906	2501						
	10	1460	2122									1693	2355	2074	2736				
	11	1606	2334											1862	2590	2244	2972		
12	1752	2546													2032	2826	2795	3589	

Technische Daten / Technical Data

Steuerdruck / Control pressure

Steuerdruck: 2-8 bar
Steuerdruckmedium/Qualität: Gefilterte Druckluft mindestens nach DIN/ISO 8573-1 Klasse 4
Control pressure: 2-8 bar
Control medium/ quality: Filtered air minimum acc. to DIN/ISO 8573-1 Class 4

Schaltzeit (sek*) / switch time (sec*)

APD		APS	
0-90°	90-0°	0-90°	90-0°
3,6	3,6	4,4	2,8

* Die angegebenen Schaltzeiten sind Richtwerte für einen Doppelhub bei 6 bar Steuerdruck und ohne Last. Bei hohen Stellgeschwindigkeiten der Armatur können unzulässig große Bremskräfte in den Endlagen des Antriebes auftreten. Abhilfe: Drosselung der Abluft oder Auswahl eines größeren Antriebs. Einfachwirkende Schwenkantriebe mit 12 Federn.

* Quoted switch times are guidelines for a double-stroke at 6 bar control pressure and without load. With high valve actuating speeds potentially dangerous large braking forces can arise in the actuator end positions. Tip: Throttle the exhaust air or select a larger actuator. Single action actuators with 12 springs.

Werkstoffe / Materials

Gehäuse: Al-Legierung, eloxiert, außen PP-beschichtet
Deckel: AL-Legierung, PP-beschichtet
Kolben: AL-Legierung
Ritzel: Stahl, korrosionsgeschützt
Namur Welle: SS316
Dichtungen: NBR (Perbunan)
Lager: Kunststoff, POM (Delrin)
Schrauben: Edelstahl 1.4301
Housing: Al-alloy, anodised, outside PP-coated
Caps: Al-alloy, PP-coated
Piston: Al-alloy
Pinion: Steel, corrosion-protected
Namur shaft: SS316
Seals: NBR (Perbunan)
Bearing: Plastic, POM
Screws: Stainless steel 1.4301

Gewicht, Luftverbrauch / Weight, air consumption

Antriebstypen/ Actuator type	APD	APS
Gewicht/ Weight (kg)	128,50	156,10
Volumen/ Volume (l) Doppelhub/ Double-stroke	51,10	28,00

Umgebungstemperatur / Ambient temperature

Standard	-35°C bis +80°C
Hochtemp. / High-temp (HT)	-15°C bis +140°C
Tieftemp. / Low-temp (TT)	-50°C bis +70°C

Auf Wunsch / Optional extras

- Andere Gehäusebeschichtungen
- Ritzel: Edelstahl AISI 304 oder 316
- 135° Antriebe: Schwenkwinkel von 135° bis 90° einstellbar
- 180° Antriebe: Schwenkwinkel von 180° bis 120° einstellbar
- 3 - Positions - Antriebe 0°-90°-180°/0°-45°-90°
- Other housing coatings
- Pinion: stainless steel AISI 304 or 316
- 135° actuator: rotation 135° to 90° adjustable
- 180° actuator: rotation 180° to 120° adjustable
- 3 - positions - actuator 0°-90°-180°/0°-45°-90°

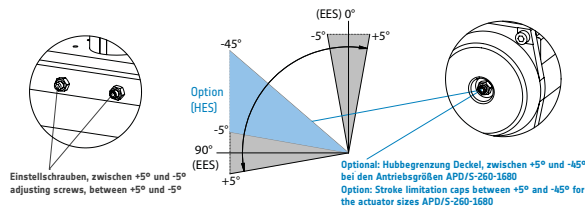
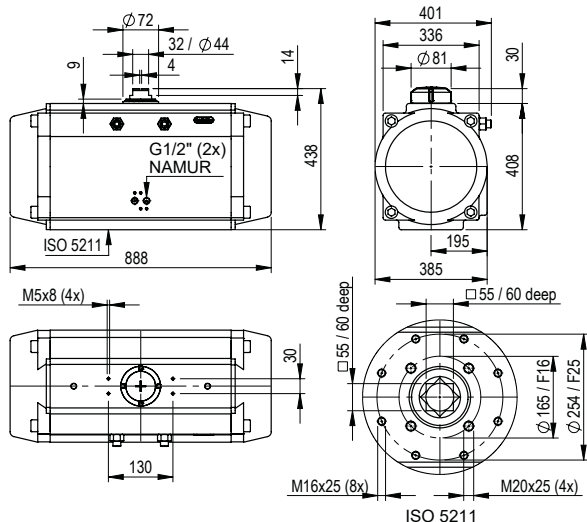
Bestellbezeichnung / Ordering code

APD - 760 / 090 - V46 - H (siehe Montagevarianten)
APS - 760 / 090 - 06* - V46 - H (see assembly variants)
* Federzahl: 4 bis 12 Stück, nach vorhandenem Steuerdruck
* The number of springs (4 up to 12 pcs.) must be matched to the control pressure beforehand.

Service-Hotline für Rückfragen und Informationen: +49 (0) 2644 / 40697-0
Weitere Informationen finden sie auch unter www.airpower-gmbh.com

For further information visit our website at www.airpower-gmbh.com or simply give us a call under: +49 (0) 2644 / 40697-0

Datasheet APD/APS-1150



Endlageneinstellung / End position adjustment

In beiden Endstellungen kann mit den Endlagen-Einstellschrauben der Schwenkwinkel in drucklosem Zustand zwischen +5° und -5° eingestellt werden. Optional kann der Nennschwenkwinkel des geschalteten Antriebs (90°) über die Hubeinstellschrauben im Deckel um +5° bis -45° begrenzt werden.

The pivoting angle can be adjusted in both end positions in pressure free conditions between +5° and -5°. As an option, the pivoting angle of the switched position of the actuator (90°) can be adjusted by the setting screws in the caps of the actuator between +5° and -45°.

Drehmomente doppelwirkender Antrieb (Nm) / Torque-table double-acting actuator (Nm)

Antriebstyp Actuator type	Steuerdruck Pst (bar) / Control pressure Pst (bar)										
	2	2,5	3	3,5	4	4,5	5	5,5	6	7	8
APD - 1150	2285	2856	3427	3998	4570	5141	5712	6283	6854	7997	9139

Drehmomente einfachwirkender Antrieb (Nm) / Torque-table single-acting actuator (Nm)

Antriebstyp Actuator type	Federanzahl No. Springs	Md F [Nm]		Pneumatisches Nutzdrehmoment Md [Nm] bei Mindeststeuerdruck Pst [bar] / Pneumatic applied Torque Md [Nm] at Minimum Control Pressure Pst [bar]																	
				3		3,5		4		4,5		5		5,5		6		7			
		min	max	min	max	min	max	min	max	min	max	min	max	min	max	min	max	min	max		
APS-1150	4	938	1361																		
	5	1173	1702	1725	2254																
	6	1408	2043	1384	2019	1955	2590														
	7	1642	2383			1615	2356	2187	2928												
	8	1877	2724					1846	2693	2417	3264										
	9	2112	3064							2077	3029										
	10	2346	3405									2648	3600								
	11	2581	3745											2307	3366	2878	3937				
	12	2816	4086													2538	3702	3110	4274		
																		2769	4039	3911	5181

Technische Daten / Technical Data

Steuerdruck / Control pressure

Steuerdruck: 2-8 bar
Steuerdruckmedium/Qualität: Gefilterte Druckluft mindestens nach DIN/ISO 8573-1 Klasse 4

Control pressure: 2-8 bar
Control medium/ quality: Filtered air minimum acc. to DIN/ISO 8573-1 Class 4

Schaltzeit (sek*) / switch time (sec*)

APD		APS	
0-90°	90-0°	0-90°	90-0°
5,7	5,7	6,6	3,8

* Die angegebenen Schaltzeiten sind Richtwerte für einen Doppelhub bei 6 bar Steuerdruck und ohne Last. Bei hohen Stellgeschwindigkeiten der Armatur können unzulässig große Bremskräfte in den Endlagen des Antriebes auftreten. Abhilfe: Drosselung der Abluft oder Auswahl eines größeren Antriebs. Einfachwirkende Schwenkantriebe mit 12 Federn.

* Quoted switch times are guidelines for a double-stroke at 6 bar control pressure and without load. With high valve actuating speeds potentially dangerous large braking forces can arise in the actuator end positions. Tip: Throttle the exhaust air or select a larger actuator. Single action actuators with 12 springs.

Werkstoffe / Materials

Gehäuse:	AL-Legierung, eloxiert, außen PP-beschichtet
Deckel:	AL-Legierung, PP-beschichtet
Kolben:	AL-Legierung
Ritzel:	Stahl, korrosionsgeschützt
Namur Welle:	SS316
Dichtungen:	NBR (Perbunan)
Lager:	Kunststoff, POM (Delrin)
Schrauben:	Edelstahl 1.4301
Housing:	Al-alloy, anodised, outside PP-coated
Caps:	Al-alloy, PP-coated
Piston:	Al-alloy
Pinion:	Steel, corrosion-protected
Namur shaft:	SS316
Seals:	NBR (Perbunan)
Bearing:	Plastic, POM
Screws:	Stainless steel 1.4301

Gewicht, Luftverbrauch / Weight, air consumption

Antriebstypen/ Actuator type	APD	APS
Gewicht/ Weight (kg)	210,20	259,40
Volumen/ Volume (l)	79,30	43,00
Doppelhub/ Double-stroke		

Umgebungstemperatur / Ambient temperature

Standard	-35°C bis +80°C
Hochtemp. / High-temp (HT)	-15°C bis +140°C
Tieftemp. / Low-temp (TT)	-50°C bis +70°C

Auf Wunsch / Optional extras

- Andere Gehäusebeschichtungen
- Ritzel: Edelstahl AISI 304 oder 316
- 135° Antriebe: Schwenkwinkel von 135° bis 90° einstellbar
- 180° Antriebe: Schwenkwinkel von 180° bis 120° einstellbar
- 3 - Positions - Antriebe 0°-90°-180°/0°-45°-90°
- Other housing coatings
- Pinion: stainless steel AISI 304 or 316
- 135° actuator: rotation 135° to 90° adjustable
- 180° actuator: rotation 180° to 120° adjustable
- 3 - positions - actuator 0°-90°-180°/0°-45°-90°

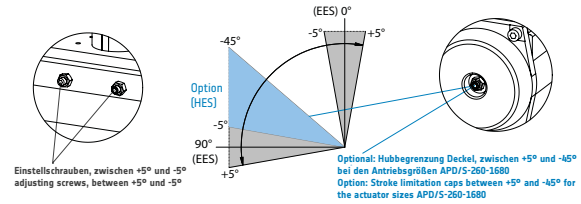
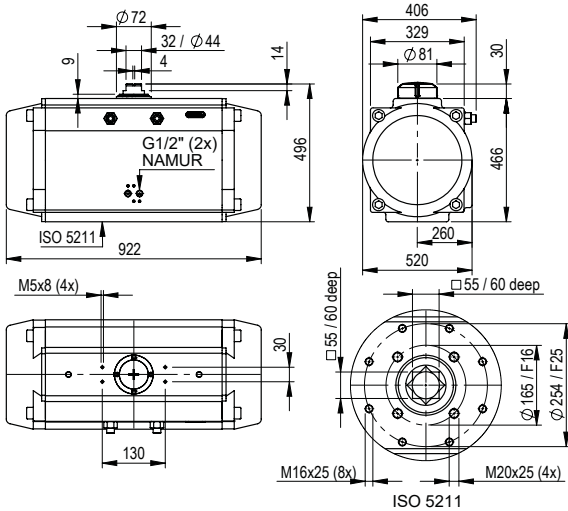
Bestellbezeichnung / Ordering code

APD - 1150 / 090 - V55 - H (siehe Montagevarianten)
APS - 1150 / 090 - 06* - V55 - H (see assembly variants)
* Federzahl: 4 bis 12 Stück, nach vorhandenem Steuerdruck
* The number of springs (4 up to 12 pcs.) must be matched to the control pressure beforehand.

Service-Hotline für Rückfragen und Informationen: +49 (0) 2644 / 40697-0
Weitere Informationen finden sie auch unter www.airpower-gmbh.com

For further information visit our website at www.airpower-gmbh.com or simply give us a call under: +49 (0) 2644 / 40697-0

Datasheet APD/APS-1680



Endlageneinstellung / End position adjustment

In beiden Endstellungen kann mit den Endlagen-Einstellschrauben der Schwenkwinkel in drucklosem Zustand zwischen +5° und -5° eingestellt werden. Optional kann der Nennschwenkwinkel des geschalteten Antriebs (90°) über die Hubeinstellschrauben im Deckel um +5° bis -45° begrenzt werden.

The pivoting angle can be adjusted in both end positions in pressure free conditions between +5° and -5°. As an option, the pivoting angle of the switched position of the actuator (90°) can be adjusted by the setting screws in the caps of the actuator between +5° and -45°.

Drehmomente doppelwirkender Antrieb (Nm) / Torque-table double-acting actuator (Nm)

Antriebstyp Actuator type	Steuerdruck Pst (bar) / Control pressure Pst (bar)										
	2	2,5	3	3,5	4	4,5	5	5,5	6	7	8
APD - 1680	3256	4069	4883	5697	6511	7325	8139	8953	9767	11394	13022

Drehmomente einfachwirkender Antrieb (Nm) / Torque-table single-acting actuator (Nm)

Antriebstyp Actuator type	Federanzahl No. Springs	Md F [Nm]		Pneumatisches Nutzdrehmoment Md [Nm] bei Mindeststeuerdruck Pst [bar] / Pneumatic applied Torque Md (Nm) at Minimum Control Pressure Pst (bar)																
				3		3,5		4		4,5		5		5,5		6		7		
		min	max	min	max	min	max	min	max	min	max	min	max	min	max	min	max	min	max	
APS-1680	7	1837	2880	2004	3047															
	8	2100	3292	1592	2784	2406	3598													
	9	2362	3703			1995	3336	2809	4150											
	10	2624	4115					2397	3888											
	11	2887	4526							2800	4439									
	12	3149	4938										3614	5253						
	13	3412	5349										3202	4991	4016	5805				
	14	3674	5761												3605	5542	4419	6356		
	15	3937	6172														4007	6094	5635	7722
	16	4199	6584																5224	7459
																		4812	7197	

Technische Daten / Technical Data

Steuerdruck / Control pressure

Steuerdruck: 2-8 bar
 Steuerdruckmedium/Qualität: Gefilterte Druckluft mindestens nach DIN/ISO 8573-1 Klasse 4
 Control pressure: 2-8 bar
 Control medium/ quality: Filtered air minimum acc. to DIN/ISO 8573-1 Class 4

Schaltzeit (sek*) / switch time (sec*)

APD		APS	
0-90°	90-0°	0-90°	90-0°
7,5	7,5	11,1	8,7

* Die angegebenen Schaltzeiten sind Richtwerte für einen Doppelhub bei 6 bar Steuerdruck und ohne Last. Bei hohen Stellgeschwindigkeiten der Armatur können unzulässig große Bremskräfte in den Endlagen des Antriebs auftreten. Abhilfe: Drosselung der Abluft oder Auswahl eines größeren Antriebs. Einfachwirkende Schwenkantriebe mit 12 Federn.

* Quoted switch times are guidelines for a double-stroke at 6 bar control pressure and without load. With high valve actuating speeds potentially dangerous large braking forces can arise in the actuator end positions. Tip: Throttle the exhaust air or select a larger actuator. Single action actuators with 12 springs.

Werkstoffe / Materials

Gehäuse: AL-Legierung, eloxiert, außen PP-beschichtet
 Deckel: AL-Legierung, PP-beschichtet
 Kolben: AL-Legierung
 Ritzel: Stahl, korrosionsgeschützt
 Namur Welle: SS316
 Dichtungen: NBR (Perbunan)
 Lager: Kunststoff, POM (Delrin)
 Schrauben: Edelstahl 1.4301
 Housing: Al-alloy, anodised, outside PP-coated
 Caps: Al-alloy, PP-coated
 Piston: Al-alloy
 Pinion: Steel, corrosion-protected
 Namur shaft: SS316
 Seals: NBR (Perbunan)
 Bearing: Plastic, POM
 Screws: Stainless steel 1.4301

Gewicht, Luftverbrauch / Weight, air consumption

Antriebstypen/ Actuator type	APD	APS
Gewicht/ Weight (kg)	209,0	252,0
Volumen/ Volume [l] Doppelhub/ Double-stroke	117,1	64,5

Umgebungstemperatur / Ambient temperature

Standard	-35°C bis +80°C
Hochtemp. / High-temp (HT)	-15°C bis +140°C
Tieftemp. / Low-temp (TT)	-50°C bis +70°C

Auf Wunsch / Optional extras

- Andere Gehäusebeschichtungen
- Ritzel: Edelstahl AISI 304 oder 316
- 135° Antriebe: Schwenkwinkel von 135° bis 90° einstellbar
- 180° Antriebe: Schwenkwinkel von 180° bis 120° einstellbar
- 3 - Positions - Antriebe 0°-90°-180°/0°-45°-90°
- Other housing coatings
- Pinion: stainless steel AISI 304 or 316
- 135° actuator: rotation 135° to 90° adjustable
- 180° actuator: rotation 180° to 120° adjustable
- 3 - positions - actuator 0°-90°-180°/0°-45°-90°

Bestellbezeichnung / Ordering code

APD - 1680 / 090 - V55 - H (siehe Montagevarianten)
 APS - 1680 / 090 - 06* - V55 - H (see assembly variants)
 * Federzahl: 4 bis 12 Stück, nach vorhandenem Steuerdruck
 * The number of springs (4 up to 12 pcs.) must be matched to the control pressure beforehand.

Service-Hotline für Rückfragen und Informationen: +49 (0) 2644 / 40697-0
 Weitere Informationen finden sie auch unter www.airpower-gmbh.com

For further information visit our website at www.airpower-gmbh.com
 or simply give us a call under: +49 (0) 2644 / 40697-0

Order key Form

Order examples for a double-acting quarter turn actuator

A	G	D	–	007	/	090	–	V14	–	H
Type / mode of action D = Double				Size		Swivel-angle 90° (180°)		Pinion Type *		Assembly variant Page 36/37

Order examples for a single-acting quarter turn actuator (spring return)

A	G	S	–	007	/	090	–	06	–	V14	–	E
Type / mode of action S = Single				Size		Swivel-angle 90°		Number of springs 4 to 12		Pinion Type *		Assembly variant Page 36/37

* V14 = Square = 14 mm

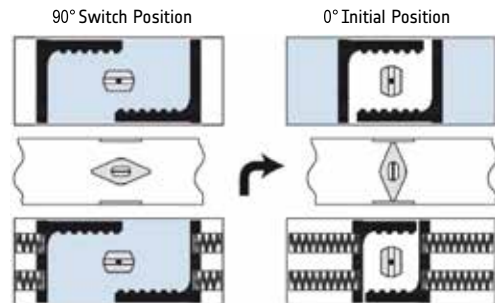
Mounting variants actuator assembly „parallel to the pipeline”

Mounting variant: H (double + single acting)
Safety position: spring force closes, clockwise

0° Initial Position

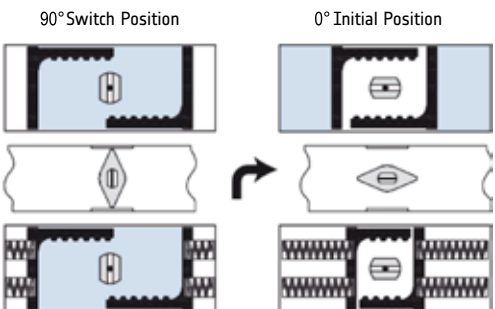


Standard: clockwise „CLOSED”
according to DIN EN 15714-1



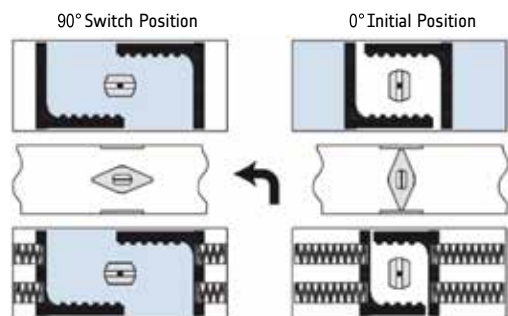
Mounting variant: G (double + single acting)
Safety position: opening by spring force, clockwise

0° Initial Position



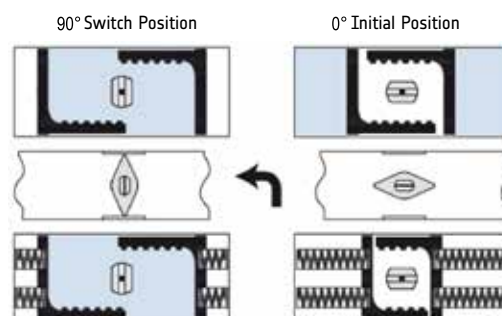
Mounting variant: E (double + single acting)
Safety position: spring force closes, counterclockwise

0° Initial Position



Mounting variant: F (double + single acting)
Safety position: opening by spring force, counterclockwise

0° Initial Position

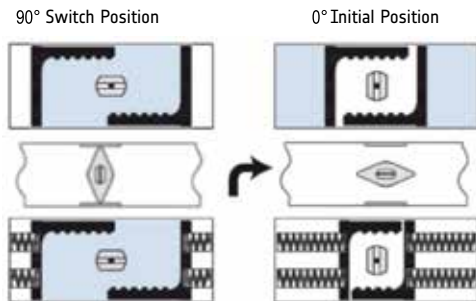


Mounting variants actuator assembly „across the pipeline”

Mounting variant: H (double + single acting)

Safety position: opening by spring force, clockwise

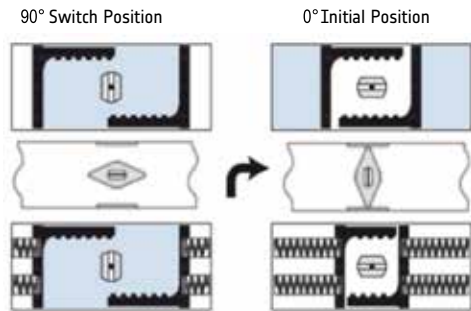
0° Initial Position



Mounting variant: G (double + single acting)

Safety position: spring force closes, clockwise

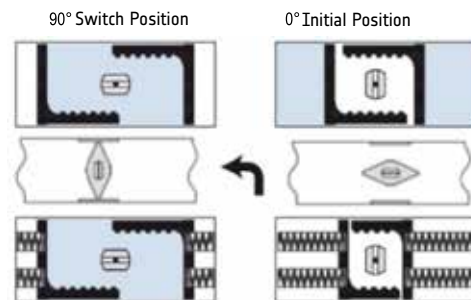
0° Initial Position



Mounting variant: E (double + single acting)

Safety position: opening by spring force, counterclockwise

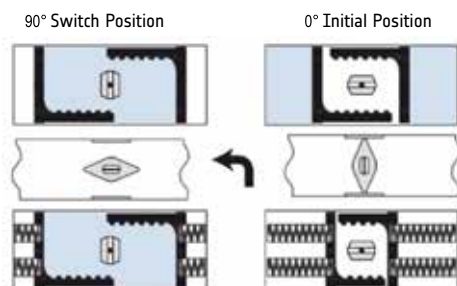
0° Initial Position



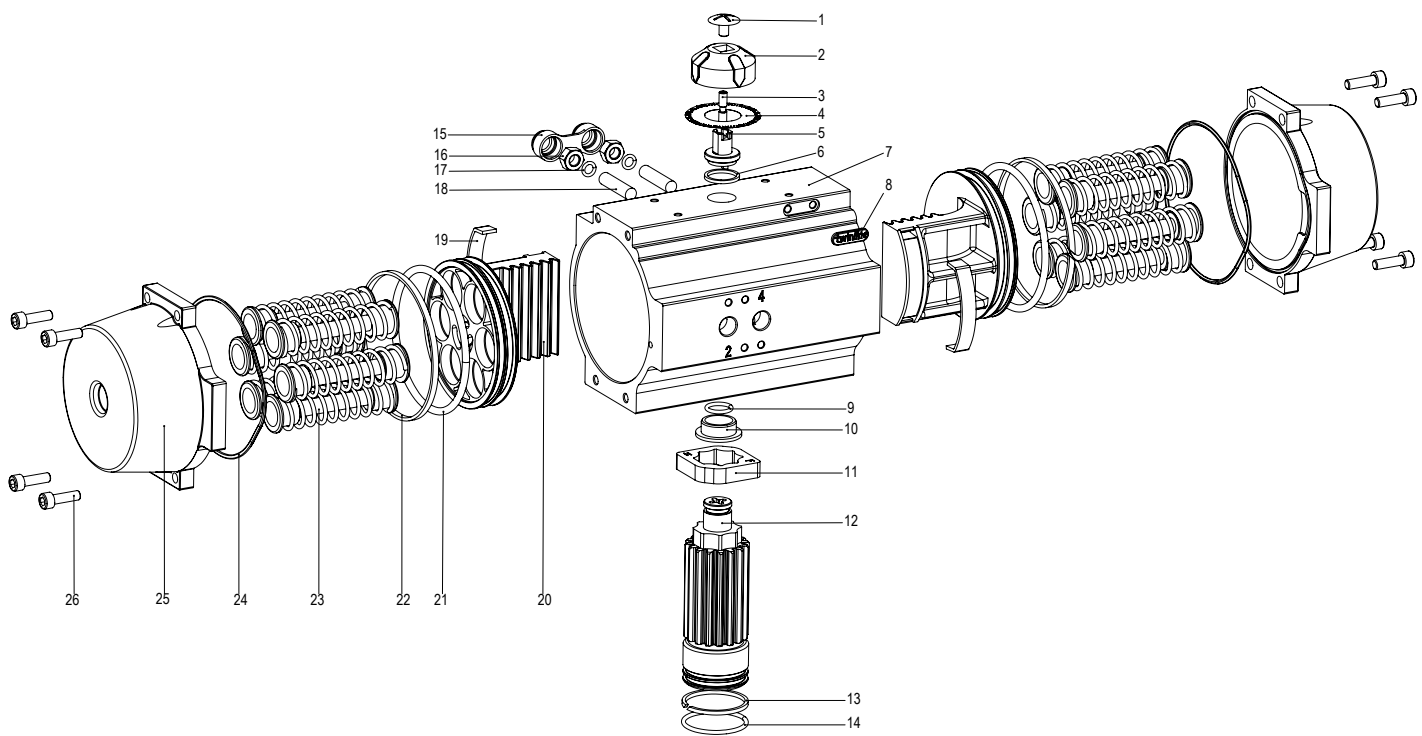
Mounting variant: F (double + single acting)

Safety position: spring force closes, counterclockwise

0° Initial Position



Spare parts AGD/AGS 002 - 130



- | | | |
|--------------------|--------------------|------------------|
| 1 screw | 11 stop cam | 21 o-ring |
| 2 visual indicator | 12 pinion | 22 piston guide |
| 3 connection screw | 13 sliding bush | 23 springs |
| 4 scala | 14 o-ring | 24 end-cap seal |
| 5 namur-shaft | 15 cover cap | 25 end-cap screw |
| 6 distance washer | 16 hex nut | 26 screw |
| 7 casing | 17 o-ring | |
| 8 logo | 18 adjusting screw | |
| 9 o-ring | 19 guide segment | |
| 10 sliding bush | 20 piston | |

Spare part set | No. 1

Seal set

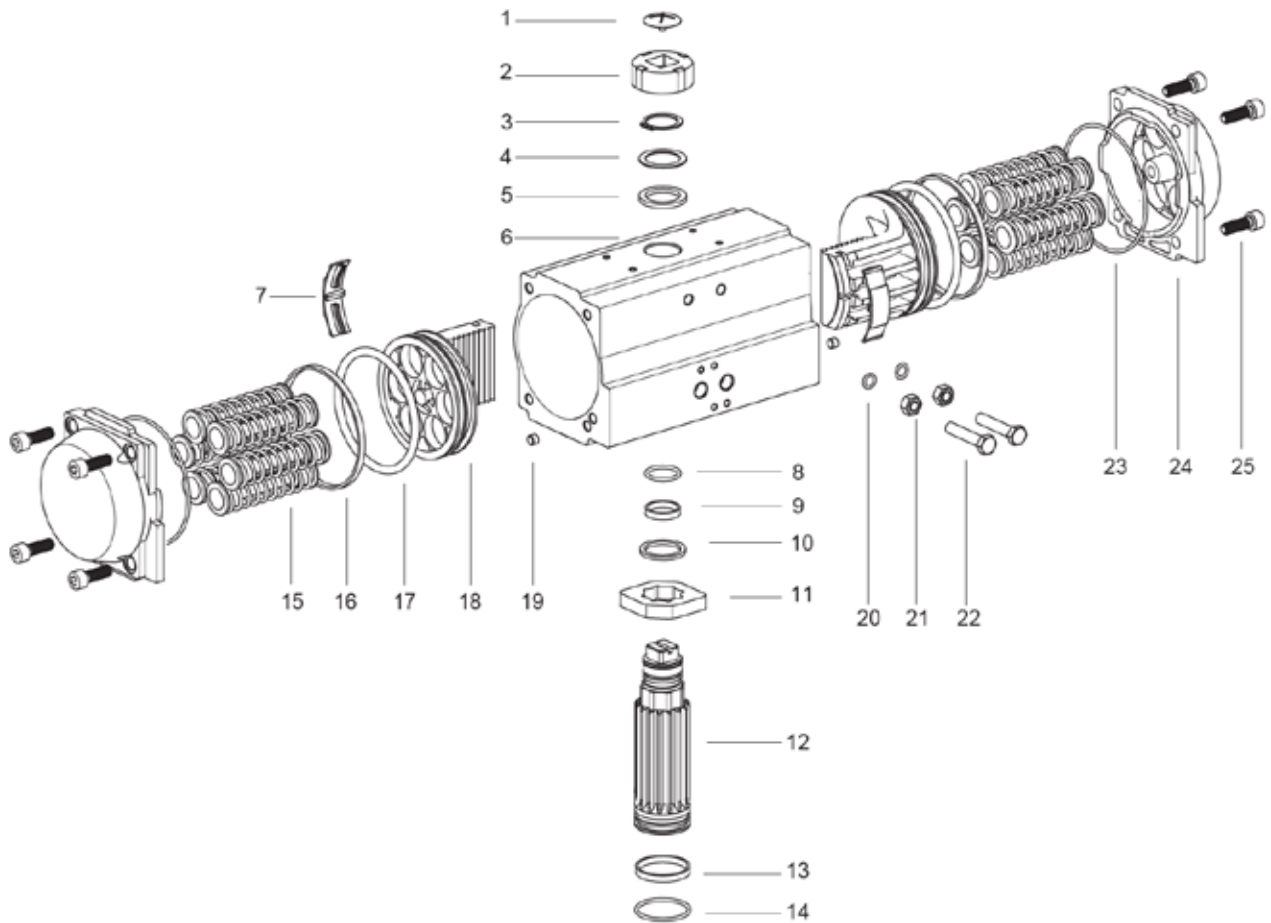
Parts: 9, 14, 17, 21, 24

Spare part set | No. 2

Wearing parts

Parts: 6, 10, 13, 19, 22

Spare parts APD/APS 260 - 1680



- | | | |
|----------------------|----------------------|--------------------|
| 1 screw | 11 Stop cam | 21 Lock nut |
| 2 Position indicator | 12 Pinion | 22 Adjusting screw |
| 3 Circlip | 13 Plain bearing | 23 O-ring |
| 4 Thrust washer | 14 O-ring | 24 Cover |
| 5 Sliding washer | 15 Safety springs | 25 Cover screws |
| 6 Body | 16 Piston guide ring | |
| 7 Guide segments | 17 O-ring | |
| 8 O-ring | 18 Piston | |
| 9 Plain bearing | 19 Plug | |
| 10 Spacer disk | 20 O-ring | |

Spare part set | No. 1

Seal set

Parts: 8, 14, 17, 20, 23

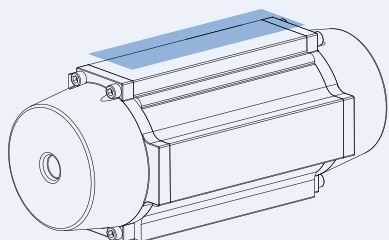
Spare part set | No. 2

Wearing parts

Parts: 5, 7, 9, 10, 13, 16

Accessories Program for all actuator interfaces

Interface Actuator /Signal unit according to VDI /VDE 3845



Switchbox
made of different materials and different types of switches

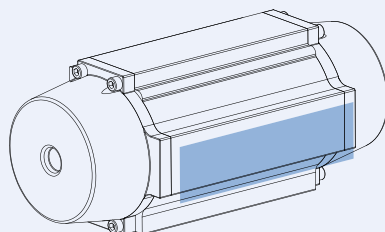


Proximity initiators
Switches and sensors



Positioners
pneumatic and electro-pneumatic or digital

Interface actuator / control valve according to VDI / VDE 3845 or NAMUR



NAMUR control valve
made of different materials, also explosion-proof



Throttle plate
with NAMUR flange pattern

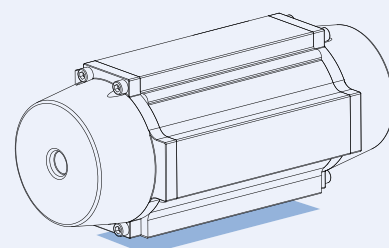


Throttle silencer
and fine throttles for speed regulation



Silencer
prevents the entry of dirt and dust

Interface actuator / valve according to DIN EN ISO 5211



Mounting bridge



Shaft adapter



Reducers



Gearbox



Assembly and installation service

We assemble and test for you on a project-specific basis, including piping and many other options such as:

Manual override, valve terminal, emergency air supply, etc.



Operating and maintenance instructions for the pneumatic quarter turn actuator

Manual

Service hotline for queries and information: +49-2644-40697-0
Further information can also be found at www.airpower-gmbh.com.

Technical developments and data subject to change without notice.
11/2025 airpower europe GmbH





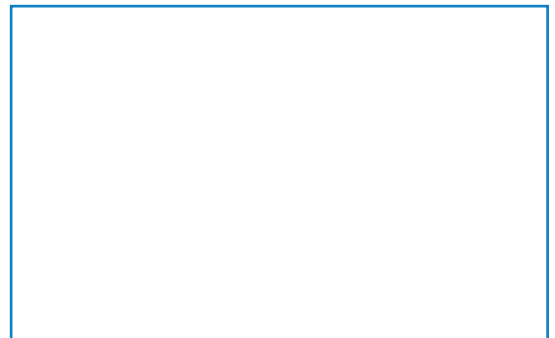
Presented by our sales partner:

Auf der Hohl 7
D-53547 Dattenberg

☎ 0049-2644-40697-0

📠 0049-2644-40697-99

sales@airpower-gmbh.com



www.airpower-gmbh.com